



USER MANUAL

Руководство по эксплуатации

HOT AIR GUN

ФЕН ТЕХНИЧЕСКИЙ

HG-1800	28001
---------	-------

HG-2000M	28005
----------	-------

HG-2000E	28007
----------	-------

EN

RU



IMPORTANT
ВНИМАНИЕ

Read this manual before use and retain for future reference.

Прочитайте данное руководство перед эксплуатацией устройства и сохраните его для дальнейшего использования.

The date of manufacture is indicated on the product.

Дата изготовления указана на изделии.

CONTENT

SAFETY WARNINGS	3
PROPER USAGE AND GENERAL INFORMATION.....	3
ACCESSORIES	3
SPECIFICATIONS.....	3
GENERAL SAFETY INSTRUCTIONS FOR ELECTRIC TOOLS.....	4
HANDLING INSTRUCTIONS	6
OPERATION.....	8
MAINTENANCE.....	10
POSSIBLE FAULTS.....	11
RECYCLING.....	11
TRANSPORTATION.....	11
STORAGE	11
LIFE TIME.....	11
WARRANTY OBLIGATIONS	12





EN

Dear Buyer!

This product is a technically complicated one. Study thoroughly the present manual before the first start and follow all the safety precautions strictly! The negligence of them may lead to dangerous injuries! The design of the product is under constant upgrading, that is why some changes which are not included in the present manual are possible, but they do not detract the service properties of the product.

SAFETY WARNINGS

The following definitions indicate the degree of importance of each keyword. Read through the instructions and pay attention to these symbols.

	WARNING! Indicates a potentially hazardous situation which, if not avoided, could result in injury or equipment damage.
	Electric Shock Risk!
	Flammability!
	ATTENTION: Read the manual attentively in order to reduce the risk of injury.

EN

PROPER USAGE AND GENERAL INFORMATION

Hot Air Gun (hereinafter referred to as "Air Gun", "machine", "tool") is designed for heating and drying various objects and compounds, drying and stripping paints, plastic welding, soldering, defrosting pipes and other objects, disinfection and other hot air applications.

The machine is designed for usage at an environment temperature from 0 °C to 40 °C, relative humidity not more than 80% and absence of direct exposure of atmospheric condensation and excessive air dustiness.

The machine is suitable only for private use and must be used in intermittent duty not more than 20 hours per month. It is recommended to use on-loading not more than a nominal, during 10-15 minutes and then to have a break for 20-30 minutes. This usage mode enables to complete domestic tasks effectively and prevents the tool from a premature coming out of order.

This manual contains the information and the requirements necessary and sufficient for a sure, effective and secure use of the tool.

Due to ongoing activities in order to improve the tool the manufacture reserves the right to make minor changes in its construction, not mentioned in this manual and not worsening its consumer and operational properties, effective and secure use.

ACCESSORIES

Contents of delivery:

- | | |
|---------------------------------------|------|
| 1. Hot Air Gun | 1 pc |
| 2. Set of nozzles (except mod. 28001) | 1 pc |
| 3. Instruction manual | 1 pc |
| 4. Warranty card | 1 pc |

SPECIFICATIONS

Table 1

Item No / Model	28001 / HG-1800	28005 / HG-2000M	28007 / HG-2000E
Rated power, W	1800	2000	2000
Number of temperature modes	3	3	2
Operating temperature at mode I, °C	50	50	50
Operating temperature at mode II, °C	450	50-450	50-650

Item No / Model	28001 / HG-1800	28005 / HG-2000M	28007 / HG-2000E
Operating temperature at mode III, °C	550	50-600	-
Number of airflow modes	3	3	2
Productivity on an air stream at the mode I, l / min	250	250	250-500 (cooling)
Productivity on an air stream at the mode II, l / min	250	250	250-500
Productivity on an air stream at the mode III, l / min	500	500	-
LCD display	-	-	+
Temperature adjustment (stepless / stepped)	-	stepless	stepped
Overheat protection	+	+	+
Constant heat control	-	+	+
Rated Voltage, V~ Hz	230~ 50/60	230~ 50/60	230~ 50/60
Degree of protection against penetration of objects and liquids	IP20	IP20	IP20
Sound pressure level (L_{pA}), dB(A)	70	74	76
Ambivalence of sound pressure level (L_{pA}), dB(A)	3	3	3
Sound power level (L_{wA}), dB(A)	78	81,5	83
Ambivalence of sound power level (L_{wA}), dB(A)	3	3	3
Vibration level (a_v), m/s ²	2,2	2,3	2,5
Ambivalence of vibration level (a_v), m/s ²	1,5	1,5	1,5
Degree of protection against electric shock	II	II	II
Net weight, kg ±3%	0,75	0,9	0,92
Gross weight, kg ±3%	1,2	1,4	2,625

GENERAL SAFETY INSTRUCTIONS FOR ELECTRIC TOOLS



WARNING!

Before starting work read all safety information and instructions. Non-observance to the safety rules and instructions may lead to electric shock, fire and/or severe injury.

Keep all safety instructions for subsequent use

The term «power tool» refers to your electric (with cable) or battery power (wireless) tool in all the instructions below.

Workplace safety

- Keep the workplace clean and provide it with good light. Poor light or mess at workplace may lead to an accident.
- Do not use power tools if there is a danger of fire or explosion, for example, near flammable liquids, gas or dust. During work electric tools give up sparks, which can ignite dust or flammable vapors.
- While working with power tools do not keep close children or other people. A distraction may cause loss of control over the work.

Electrical safety

- A cable plug of an electric tool must match a power outlet. Never modify an electrical cable plug. Do not use connecting adapter plugs, if there is a ground wire in the power cable of the electric tool. Usage of the original cable plug and a corresponding power outlet reduces the risk of electric shock.

- b) While working with electric tool avoid physical contact with grounded objects such as pipelines, radiators, electric stoves and refrigerators. The risk of electric shock increases if your body is grounded.
- c) Do not use electric tool in the rain or in a humid environment. Water entering into the electric tool increases the risk of electric shock.
- d) Handle electrical cable with care. Never use the cable for carrying electric tool or pulling its plug out of the receptacle. Do not expose electrical cable to high temperatures and lubricants; keep it away from sharp edges and moving parts of the tool. Damaged or entangled cable increases the risk of electric shock.
- e) While working with electric tool outdoors use an extension cable intended for outdoor use. Using the cable suitable for working outdoors reduces the risk of electric shock.
- f) While working with electric tool in a humid environment use a power supply equipped with a safety protective shutdown device. The usage of this device reduces the risk of electric shock.

**ATTENTION!**

It is recommended to use a safety shutdown device with actuation current not more than 30 mA.

Personal safety

- a) While working with electric tools be careful, watch what you do and use common sense. Do not use electric tool if you are tired, as well as being under the influence of alcohol or drugs lowering the reaction and other remedies. The slightest negligence may cause serious injury while working with electric tools.
- b) While working use personal protective equipment. Always wear safety glasses. Timely using of protective equipment such as: dust mask, boots with non-slip sole, safety hat or noise protection headphones, significantly reduces the risk of injury.
- c) Do not allow unintended start. Before plugging in electric tool and/or connecting it to the battery lift or move it, be sure the switch is in the "off" position. Do not carry electric tool with the trigger switch pressed and do not plug the electric tool into a power outlet if the switch is set to "on". This may lead to an accident.
- d) Before turning on the electric tool remove from it all adjusting keys or spanners. An adjusting key or spanner left fixed on the rotating part of the electric tool can cause severe injury.
- e) Work in a steady posture. Always keep your balance and a steady posture. This will allow you not to lose control when working with electric tool in an unexpected situation.
- f) Dress properly. Do not wear loose clothes or jewelry while working. Make sure your hair, clothing or gloves are at a constant distance from the rotating parts of the tool. Loose clothes, jewelry or long hair can get into the rotating parts of the tool.
- g) If the electric tool is equipped with a dust collection and removal device, make sure this device is properly connected and used. The use of a dust removal device significantly reduces the risk of an accident due to a dusty working space.

Use of electric tools and technical care

- a) Do not overload the electric tool. Use your tool for its intended purpose. The electric tool works safe and secure only if you keep to the parameters specified in its technical specifications.
- b) Do not use the electric tool if its switch cannot be set to the "on" or "off" position. Electric tool with a broken switch is dangerous and must be repaired.
- c) Unplug the electric tool from the power outlet and/or remove battery before adjusting, replacement of accessories or when storing electric tool. Such precautions reduce the risk of an accidentally turning on of the electric tool.
- d) Store unused electric tools out of the reach of children and do not let persons who are not familiar with electric tool or these instructions work with electric tools. Electric tools are dangerous in the hands of inexperienced users.
- e) Check an electric tool regularly. Check alignment accuracy and ease of movement of moving parts, integrity of parts and any other elements of the electric tool affecting its work. Do not use a broken electric tool until it is completely repaired. Most accidents are the result of insufficient maintenance of the electric tool.
- f) Watch out for sharpness and cleanness of cutting accessories. Sharp-edged accessories allow avoiding jamming and make work less tiring.

- g) Use electric tool and accessories in accordance with this manual and taking into account the working conditions and nature of future work. Misuse of the electric tool can create a hazardous situation.

Maintenance

Your electric tool must be repaired only by qualified specialists using original spare parts. This will ensure safety and reliability of your electric tool in further use.

Additional security measures for hot air guns

- a) Hold the tool firmly in both hands when working. If this rule is not followed, the operation of the power tool becomes dangerous.
- b) Keep the power cord away from the nozzle and red-hot tooling. If you lose control of your electric tool, the power cord may be damaged, which could cause a short circuit and fire.
- c) Do not use the tool in the presence of an explosive atmosphere. Keep in mind that heat can be transferred to combustible materials, which are out of sight.
- d) After use place the device on a firm, flat surface with the nozzle facing up, let it cool before storing.
- e) Do not leave the device unattended when it is turned on.
- f) Keep the motor in good condition. In case of failure, the appearance of suspicious odors characteristic of burning insulation, strong noise, knocking, sparks, you should immediately turn off the machine and contact the service center.
- g) Transport the machine in the original packaging. Before packing remove the work tool, fold and lock the cord.

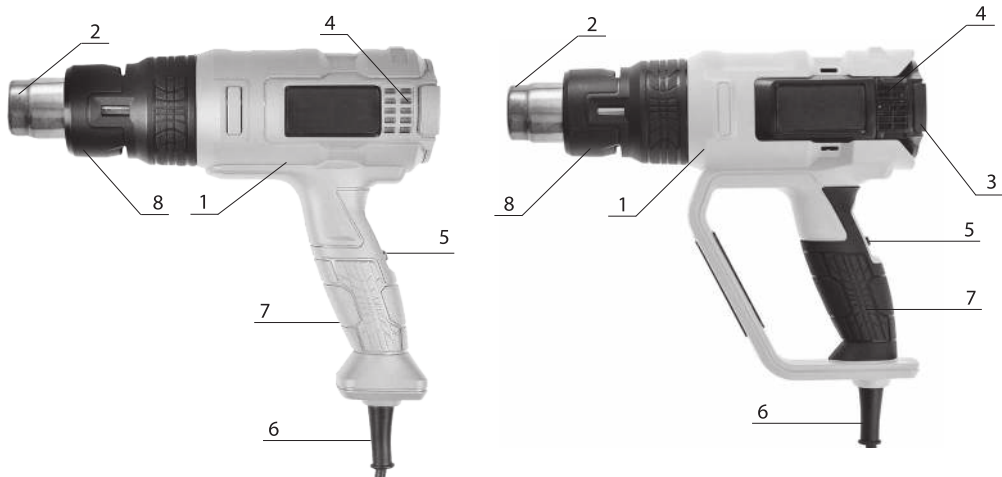
Residual risks

Despite following the relevant safety instructions and the use of safety devices some residual risks cannot be completely eliminated. These include:

- Injuries from touching moving parts of the tool.
- Risk of pinching fingers when changing tooling.
- Damage to health from exposure to hazardous fumes, arising when working with paint, varnish and similar materials.

HANDLING INSTRUCTIONS

General view of the tool is shown on picture 1.



code 28001 (HG-1800)

code 28005 (HG-2000M), code 28007 (HG-2000E)

Pic. 1

- 1. Housing
- 2. Nozzle
- 3. Control panel / temperature controller
(on model HG-1800 – absent, HG-2000M – mechanical control panel, HG-2000E – electronic control panel with digital display)
- 4. Air inlets
- 5. On/off switch
- 6. Power cable
- 7. Handle
- 8. Protective ring

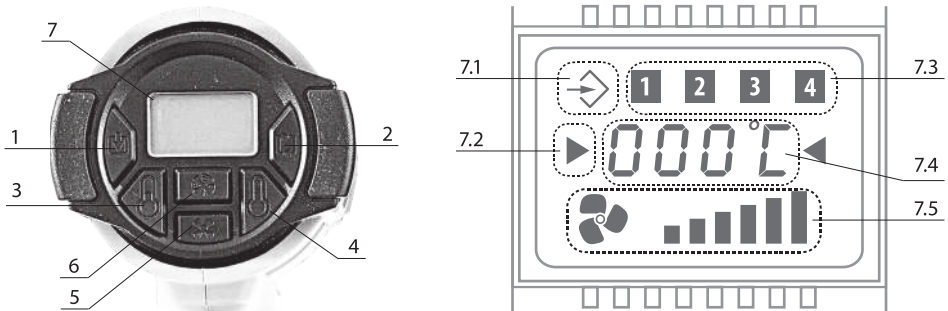
A general view of the HG-2000M control panel is shown in the picture. 2.



Pic. 2

- 1. Temperature adjustment
- 2. Tag

General view of the HG-2000E control panel is shown in the pic. 3.



Pic. 3

- 1. Saving of the settings of the hair dryer operating mode
- 2. Preset selection key
- 3. Adjustment button for temperature -
- 4. Adjustment button for temperature +
- 5. Adjustment button for airflow -
- 6. Adjustment button for airflow +
- 7. Display
- 7.1. Pre-set input
- 7.2. Indicator
- 7.3. Saved Modes
- 7.4. Temperature indicator
- 7.5. Airflow indicator

A set of nozzles for a technical dryer is shown in the pic. 4.



Pic. 4

1. Triangular scraper (used to remove paint and varnish from a flat surface and corners)
2. Flat nozzle (creates a wide heat flow to the workpiece, ideal for removing paint or varnish from large flat surfaces such as baseboards, doors, stairs, etc.; it should be used with a scraper)
3. Semicircular nozzle (this nozzle is designed to heat up at the junction of layers or different types of material)
4. Round reflecting nozzle (creates a stream around the subject; ideal for heating and soldering pipes, bending plastic)
5. Straight nozzle

Description

The hot air gun is a machine consisting of a fan that supplies air, and a heating element. The air gun is controlled by a switch 5 (pic. 1), and by temperature controller 3 (pic. 1) on models HG-2000M, HG-2000E.

The machine is equipped with ergonomic handle that allows you to comfortably hold the tool, providing convenience when working.

OPERATION

Installation / removal of nozzles.



ATTENTION!

When installing, removing, replacing equipment, keep in mind that nozzles and tool nozzle become very hot. Careless handling of the tool when changing the nozzle can cause burns or damage to surrounding objects.

In the delivery set there is a set of nozzles, which is shown in the pic. 4. It is designed to facilitate the work with the device in various situations.

Nozzles are installed on the nozzle of the hot air gun with little effort. If necessary it is recommended to bend the landing ring of the nozzle to ensure reliable attachment of nozzles.

Power connection



ATTENTION!

Power tools should only be connected to single-phase AC power, the voltage of which corresponds to the voltage indicated on the rating plate located on the tool housing. If the rating plate indicates a voltage of 230V, then the power tool can also be switched on to a main with a voltage of 220 V.

When working outdoors use industrial extension cords intended for outdoor use. Do not use homemade extensions. When working outdoors connect power tools to the power circuit equipped with a differential automatic with a response current of not more than 30 mA, this will reduce the risk of electric shock.

When connecting ensure that the insulation of the electrical cable and the power plug of the machine is intact. Make sure the machine's power switch is in the "off" position.

This power tool can be connected to power outlets that do not have a protective ground, since it has double insulation (protection class II).

Air supply speed and temperature mode adjustment

Depending on the type of material being heated and the type of work you can choose the optimal air flow rate and temperature. Adjustment is carried out from minimum to maximum value by selecting working mode 5 (pic. 1) and on models HG-2000M, HG-2000E by temperature controller 3 (pic. 1). Data with the characteristics is presented in the table 1.

For model HG-1800

Switch the operation mode switch 5 to one of three positions:

I – 250 l / min air supply is ensured at a temperature of 50 °C. This mode is used to dry and cool the hot air gun before turning it off after working in other modes.

II – 250 l / min air supply is ensured at a temperature of 450 °C.

III – 500 l / min air supply is ensured at a temperature of 550 °C.

For model HG-2000M

Switch the operation mode switch 5 to one of three positions:

I – 250 l / min air supply is ensured at a temperature of 50 °C. This mode is used for drying various items and cooling the air gun before disconnecting after working in other modes.

II – 250 l / min air supply is ensured at a temperature of 50-450 °C.

III – 500 l / min air supply is ensured at a temperature 50-600 °C.

When switching to modes II and III, the temperature is adjusted by turning the dial 1 (pic. 2). Numbers printed on the disc indicate the level of the set temperature – a higher number corresponds to a higher temperature from the range specified in Table 1. Numbers indicate exclusively the positions of the adjustment dial and do not reflect the temperature of the exhaust air, expressed in degrees.

For model HG-2000E

Switch the operation mode switch 5 to one of two positions:

I – 250 l / min air supply is ensured at a temperature of 50 °C. This mode is used for drying various items and cooling the air gun before disconnecting after working in other modes.

Adjusting the performance of the air gun in this mode is carried out by using the keys 5 and 6 of the control panel (pic. 3). Keys 1, 2, 3, 4 of the control panel are not involved in this mode.

The hot air gun has a memory function of the settings of the last used mode, settings are saved when you re-enter this mode, including after a complete power failure.

II – 250-500 l / min air supply is ensured at a temperature of 50-650 °C.

Adjusting the temperature of the air flow is carried out by using the keys 3 and 4 of the control panel (pic. 3). The change of the temperature when pressing the keys is carried out with discreteness of 10 degrees. The indicator 7.2 (pic. 3) flashes on the display if the air flow temperature has not yet reached the specified value, when the set value is reached, indicator 7.2 goes out.

Performance adjustment is carried out by using keys 5 and 6 of the control panel (pic. 3).

The hot air gun has a memory function of the settings of the last used mode, settings are saved when you re-enter this mode, including after a complete power failure.

In addition, in mode II there are 4 preset settings which can be adjusted by the user. To select a preset setting, use the key 2 (pic. 3), the number of the setting used is reflected in the display zone 7.3. When changing a previously saved preset using the keys 3, 4, 5, 6, indicator 7.1 appears on the display (pic. 3), indicating that the changed setting can be saved. To save the setting press the button 1 and hold for 2 seconds until the indicator 7.1.

Before getting started, you must:

- inspect the tool and make sure it is complete and there is no external damage;
- make sure that the power switch is working correctly;
- after transportation in winter conditions before switching on, keep the machine at room temperature until the condensate is completely dry.

Getting started, you must:

- check the reliability of fixation of the nozzle;
- make sure that the power switch is in the "Off" position, and then connect the machine to the power supply;
- try out the normal switching of the machine switch between operation modes.

To turn on the dryer, you need to turn the switch 5 (pic. 1) into one of the working positions. To disable, it is recommended first to turn the mode switch to «», withstand dryer when working with a minimum temperature for 20-40 seconds, then switch 5 (pic. 1) to «0». **After turning off the power of the dryer, you must put it on a solid horizontal surface with the nozzle up for safe cooling.**

While working:

- do not allow mechanical damage, shock, falling of the tool on hard surfaces, etc.;
- protect the machine from exposure to intense heat sources or chemically active substances, as well as from the ingress of liquids and foreign solid objects inside the machine;
- do not block or obstruct the ventilation openings in the machine housing;
- turn off the machine using the switch before connecting / disconnecting from the power supply;
- do not touch the nozzle of the dryer / nozzle and the object to be heated, as they may have a very high temperature that will cause burn;
- do not bring the nozzle of the air gun/ nozzle too close to the object being processed – this can make it harder for hot air to exit the nozzle and cause overheating;
- never look into the nozzle of the air gun/nozzle while working – airflow may contain red-hot dust particles, causing injury to the eye;
- wear protective gloves and glasses;
- do not point the flow of hot air at people or animals;
- do not use the tool for drying hair;
- do not leave the tool connected to the mains unattended;
- do not use the tool near flammable gases and flammable substances (increased explosiveness);
- flammable and toxic gases may be released when working with plastics, paint, varnish and similar materials; find out what materials will be processed and how they react to heat in advance;
- consider that heat can be transferred to flammable substances out of sight;
- have a fire extinguisher or other extinguishing agent, in case of ignition of any items for safety.

At the end of the work:

- disconnect the tool from the mains, making sure the switch is in the off position;
- before storing the tool, let it cool for at least 30 minutes;
- clean the machine and accessories from dirt and residue mixture.

MAINTENANCE



ATTENTION!

Before starting maintenance and adjustment of the Hot Air Gun unplug the power cord from the power outlet. To ensure quality and safe functioning keep your tool and vents clean at all times.

- If you have noticed a decrease in the air supply speed and the air heating temperature during operation, it is necessary to hand over the device to the service center for its diagnosis and repair.
- Electric motor care. You must be especially careful with the electric motor, avoid getting liquids and foreign objects inside the case. Keep your ventilation holes clean, blow them regularly with compressed air or clean them with a brush. When noticeable sparks appear, contact an authorized service center for diagnostics and possibly replacement of carbon brushes.

In case of any damage to the power cord turn off the Hot Air Gun immediately, carefully, without touching the places of damage, disconnect it from the mains.

**ATTENTION!**

The tool uses power cord with mounting type Y: for security it must be replaced by authorized repair shop personnel.

POSSIBLE FAULTS

Fault	Probable cause	Problem solution
The tool turns off during operation.	Overheating due to improper operation	Set the dryer nozzle up, wait for cooling. Study this manual
The tool does not turn on	Broken power cord or mounting wire, power cord malfunction	Call the service center.
	Faulty switch	Call the service center
	Overheat	Set the dryer nozzle up, wait for cooling
When working smoke or smell of burning insulation is generated from the vent.	Fan drive malfunction	Call the service center
	Malfunction of the electrical part of the instrument	Call the service center
Increased tool noise or vibration	Blockage or destruction of the fan impeller	Call the service center

Maintenance is carried out in specialized service centers. The list of service centers is presented on the website <http://ipsremont.ru/kontakty/>.

RECYCLING

A tool, developed a designated service life, must be recycled according the rules established by environmental and other laws of the country, where the tool is operated.

TRANSPORTATION

During the transportation direct exposure of precipitation, direct sunlight, heat and shock is not allowed. Transportation should be carried out only in the original packaging at temperature from -20 °C to +40 °C.

STORAGE

During the assigned service life, store the machine in a dry heated room. Recommended storage temperature is from 0 °C to +40 °C. Store the tool in the original packaging.

Before placing the drill in storage remove the working tool.

LIFE TIME

Average product life time is 5 years if the customer follows the rules of operation.

WARRANTY OBLIGATIONS

The product is covered by the manufacturer's warranty.

The warranty period is specified in the warranty card and calculated from the date of sale. Terms of warranty service are given in the warranty card.

Manufacturer: Zhejiang Prulde Electric Appliance Co., Ltd. Industry Development Zone of Xiaoshun Town, Jinhua City, Zhejiang.

Made in China.





СОДЕРЖАНИЕ

ОПИСАНИЕ СИМВОЛОВ	14
НАЗНАЧЕНИЕ	14
КОМПЛЕКТАЦИЯ	14
ТЕХНИЧЕСКИЕ ХАРАКТЕРИСТИКИ	14
ОБЩИЕ ПРАВИЛА БЕЗОПАСНОСТИ ПРИ РАБОТЕ С ЭЛЕКТРОИНСТРУМЕНТАМИ.....	15
УСТРОЙСТВО.....	18
ЭКСПЛУАТАЦИЯ	20
ТЕХНИЧЕСКОЕ ОБСЛУЖИВАНИЕ.....	22
ВОЗМОЖНЫЕ НЕИСПРАВНОСТИ И СПОСОБЫ ИХ УСТРАНЕНИЯ.....	23
УТИЛИЗАЦИЯ	23
ТРАНСПОРТИРОВКА.....	23
ХРАНЕНИЕ	24
СРОК СЛУЖБЫ.....	24
ГАРАНТИЙНЫЕ ОБЯЗАТЕЛЬСТВА.....	24
ИМПОРТЕР	24

Уважаемый покупатель!

Данное изделие является технически сложным. Перед первым запуском внимательно изучите настоящее руководство по эксплуатации и строго соблюдайте все меры предосторожности! Их несоблюдение может привести к опасным для жизни травмам! Конструкция устройства постоянно совершенствуется, поэтому возможны некоторые изменения, не отраженные в настоящем руководстве и не ухудшающие эксплуатационные качества изделия.

ОПИСАНИЕ СИМВОЛОВ

	ВНИМАНИЕ! Означает потенциально опасную ситуацию, которая может привести к получению травмы или порче оборудования.
	Риск поражения электрическим током.
	Огнеопасность!
	ВНИМАНИЕ! Внимательно прочтите руководство по эксплуатации для снижения риска получения травмы.

НАЗНАЧЕНИЕ

Фен технический (далее по тексту «фен», «машина», «инструмент») предназначен для нагрева и сушки различных объектов и соединений, сушки и снятия лакокрасочных покрытий, сварки пластиков, пайки, размораживания труб и других объектов, дезинфекции и прочего применения с использованием горячего воздуха.

Машина предназначена для эксплуатации при температуре окружающей среды от 0 °С до 40 °С, относительной влажности воздуха не более 80%, при отсутствии прямого воздействия атмосферных осадков и чрезмерной запыленности воздуха.

Машина относится к бытовому классу инструмента и должна эксплуатироваться в повторно-кратковременном режиме с наработкой до 20 часов в месяц. Рекомендуется эксплуатация с нагрузкой, не превышающей номинальной, в течение 10-15 минут и последующим перерывом 20-30 минут. Такой режим эксплуатации позволяет эффективно выполнять все задачи, возникающие в быту, и предохраняет инструмент от преждевременного выхода из строя.

Настоящее руководство содержит сведения и требования, необходимые и достаточные для надежной, эффективной и безопасной эксплуатации инструмента.

В связи с постоянной деятельностью по совершенствованию инструмента изготовитель оставляет за собой право вносить в его конструкцию незначительные изменения, не отраженные в настоящем руководстве и не ухудшающие его потребительские и эксплуатационные свойства, безопасность и эффективность работы.

КОМПЛЕКТАЦИЯ

В комплект поставки входит:

- | | |
|---|-------|
| 1. Фен технический | 1 шт. |
| 2. Комплект дополнительных насадок (кроме арт. 28001) | 1 шт. |
| 3. Инструкция по эксплуатации | 1 шт. |
| 4. Гарантийный талон | 1 шт. |

ТЕХНИЧЕСКИЕ ХАРАКТЕРИСТИКИ

Таблица 1

Артикул / Модель	28001 / HG-1800	28005 / HG-2000M	28007 / HG-2000E
Номинальная мощность, Вт	1800	2000	2000
Количество режимов температуры воздушного потока	3	3	2
Рабочая температура при режиме I, °С	50	50	50

Артикул / Модель	28001 / HG-1800	28005 / HG-2000M	28007 / HG-2000E
Рабочая температура при режиме II, °C	450	50-450	50-650
Рабочая температура при режиме III, °C	550	50-600	-
Количество режимов воздушного потока	3	3	2
Производительность по воздушному потоку при режиме I, л/мин	250	250	250-500 (охлаждение)
Производительность по воздушному потоку при режиме II, л/мин	250	250	250-500
Производительность по воздушному потоку при режиме III, л/мин	500	500	-
ЖК-дисплей	-	-	+
Регулировка температуры (плавная/ступенчатая)	-	Плавная	Ступенчатая
Защита от перегрева	+	+	+
Поддержание постоянной температуры	-	+	+
Параметры сети, В~ Гц	230~ 50/60	230~ 50/60	230~ 50/60
Степень защиты от проникновения предметов и жидкости	IP20	IP20	IP20
Уровень звукового давления (L_{pA}), дБ(A)	70	74	76
Неопределенность уровня звукового давления (L_{pA}), дБ(A)	3	3	3
Уровень звуковой мощности (L_{wA}), дБ(A)	78	81,5	83
Неопределенность уровня звуковой мощности (L_{wA}), дБ(A)	3	3	3
Уровень вибрации (a_r), м/с ²	2,2	2,3	2,5
Неопределенность уровня вибрации (a_r), м/с ²	1,5	1,5	1,5
Степень защиты от поражения электрическим током	II	II	II
Масса изделия нетто, кг, ±3%	0,75	0,9	0,92
Масса изделия брутто, кг, ±3%	1,2	1,4	2,625

ОБЩИЕ ПРАВИЛА БЕЗОПАСНОСТИ ПРИ РАБОТЕ С ЭЛЕКТРОИНСТРУМЕНТАМИ



ВНИМАНИЕ!

Перед началом работы внимательно прочтите все правила безопасности и инструкции. Несоблюдение всех перечисленных ниже правил безопасности и инструкций может привести к поражению электрическим током, возникновению пожара и/или получению тяжелой травмы.

Сохраните все правила безопасности и инструкции для последующего использования

Термин «Электроинструмент» во всех приведенных ниже указаниях относится к вашему сетевому (с кабелем) или аккумуляторному (беспроводному) электроинструменту.

Безопасность рабочего места

- a) Содержите рабочее место в чистоте и обеспечьте хорошее освещение. Плохое освещение или беспорядок на рабочем месте может привести к несчастному случаю.
- b) Не используйте электроинструменты, если есть опасность возгорания или взрыва, например, вблизи легковоспламеняющихся жидкостей, газов или пыли. В процессе работы электроинструменты создают искровые разряды, которые могут воспламенить пыль или горючие пары.
- в) Во время работы с электроинструментом не подпускайте близко детей или посторонних лиц. Отвлечение внимания может вызвать у вас потерю контроля над рабочим процессом.

Электробезопасность

- a) Вилка кабеля электроинструмента должна соответствовать штепсельной розетке. Ни в коем случае не видоизменяйте вилку электрического кабеля. Не используйте соединительные штепсели-переходники, если в силовом кабеле электроинструмента есть провод заземления. Использование оригинальной вилки кабеля и соответствующей ей штепсельной розетки уменьшает риск поражения электрическим током.
- b) Во время работы с электроинструментом избегайте физического контакта с заземленными объектами, такими как трубопроводы, радиаторы отопления, электроплиты и холодильники. Риск поражения электрическим током увеличивается, если ваше тело заземлено.
- в) Не используйте электроинструмент под дождем или во влажной среде. Попадание воды в электроинструмент увеличивает риск поражения электрическим током.
- г) Бережно обращайтесь с электрическим кабелем. Ни в коем случае не используйте кабель для переноски электроинструмента или для вытягивания его вилки из штепсельной розетки. Не подвергайте электрический кабель воздействию высоких температур и смазочных веществ; держите его в стороне от острых кромок и движущихся частей инструмента. Поврежденный или запутанный кабель увеличивает риск поражения электрическим током.
- д) При работе с электроинструментом на открытом воздухе используйте удлинительный кабель, предназначенный для наружных работ. Использование кабеля, пригодного для работы на открытом воздухе, снижает риск поражения электрическим током.
- e) При необходимости работы с электроинструментом во влажной среде используйте источник питания, оборудованный устройством защитного отключения (УЗО). Использование УЗО снижает риск поражения электрическим током.



ВНИМАНИЕ!

Рекомендуется использование устройства защитного отключения (УЗО) с током срабатывания не более 30 мА.

Личная безопасность

- a) При работе с электроинструментами будьте внимательны, следите за тем, что вы делаете, и руководствуйтесь здравым смыслом. Не используйте электроинструмент, если вы устали, а также находясь под действием алкоголя или понижающих реакцию лекарственных препаратов и других средств. Малейшая неосторожность при работе с электроинструментами может привести к серьезной травме.
- b) При работе используйте средства индивидуальной защиты. Всегда надевайте защитные очки. Своевременное использование защитного снаряжения, а именно: маски-респиратора, ботинок на нескользящей подошве, перчаток, защитного шлема или противозумовых наушников – значительно снизит риск получения травмы.
- в) Не допускайте непреднамеренного запуска. Перед тем как подключить электроинструмент к сети и/или аккумулятору, поднять или перенести его, убедитесь, что выключатель находится в положении «Выключено». Не переносите электроинструмент с нажатым курковым выключателем и не подключайте к сетевой розетке электроинструмент, выключатель которого установлен в положение «Включено», это может привести к несчастному случаю.
- г) Работайте в устойчивой позе. Всегда сохраняйте равновесие и устойчивую позу. Это позволит вам не потерять контроль при работе с электроинструментом в непредвиденной ситуации.

- д) Одевайтесь соответствующим образом. Во время работы не надевайте свободную одежду или украшения. Следите за тем, чтобы ваши волосы, одежда или перчатки находились в постоянном отдалении от движущихся или горячих частей инструмента. Свободная одежда, украшения или длинные волосы могут попасть в движущиеся или раскаленные части инструмента.

Использование электроинструментов и технический уход

- а) Не перегружайте электроинструмент. Используйте ваш инструмент по назначению. Электроинструмент работает надежно и безопасно только при соблюдении параметров, указанных в его технических характеристиках.
- б) Не используйте электроинструмент, если его выключатель не устанавливается в положение «Включено» или «Выключено». Электроинструмент с неисправным выключателем представляет опасность и подлежит ремонту.
- в) Отключайте электроинструмент от сетевой розетки и/или извлекайте аккумулятор перед регулированием, заменой принадлежностей или при хранении электроинструмента. Такие меры предосторожности снижают риск случайного включения электроинструмента.
- г) Храните неиспользуемые электроинструменты в недоступном для детей месте и не позволяйте лицам, не знакомым с электроинструментом или данными инструкциями, работать с электроинструментом. Электроинструменты представляют опасность в руках неопытных пользователей.
- д) Регулярно проверяйте исправность электроинструмента. Проверяйте точность совмещения и легкость перемещения подвижных частей, целостность деталей и любых других элементов электроинструмента, воздействующих на его работу. Не используйте неисправный электроинструмент, пока он не будет полностью отремонтирован. Большинство несчастных случаев являются следствием недостаточного технического ухода за электроинструментом.
- е) Используйте электроинструмент, аксессуары и насадки в соответствии с данным руководством и с учетом рабочих условий и характера будущей работы. Использование электроинструмента не по назначению может создать опасную ситуацию.

RU

Техническое обслуживание

Ремонт вашего электроинструмента должен производиться только квалифицированными специалистами с использованием оригинальных запасных частей. Это обеспечит безопасность и надежность электроинструмента в дальнейшей эксплуатации.

Дополнительные меры безопасности для технических фенов

- а) При работе крепко держите электроинструмент руками. При несоблюдении этого правила работа электроинструмента становится опасной.
- б) Держите шнур питания в стороне от сопла и раскаленной оснастки. Если вы потеряете контроль над инструментом, то шнур питания может быть поврежден, что может привести к короткому замыканию и пожару.
- в) Не следует использовать при наличии взрывоопасной атмосферы. Имейте в виду, что тепло может быть передано на горючие материалы, которые находятся вне поля зрения.
- г) После использования располагайте прибор на твердой ровной поверхности соплом вверх, дайте ему остыть перед хранением.
- д) Не оставляйте прибор без присмотра, когда он включен.
- е) Следите за исправным состоянием прибора. В случае отказа вентилятора, появления подозрительных запахов, характерных для горелой изоляции, нехарактерного шума, искр следует немедленно выключить изделие и обратиться в сервисный центр.
- ж) Перевозите машину в фирменной упаковке. Перед упаковкой снимите рабочий инструмент, сверните и зафиксируйте шнур.

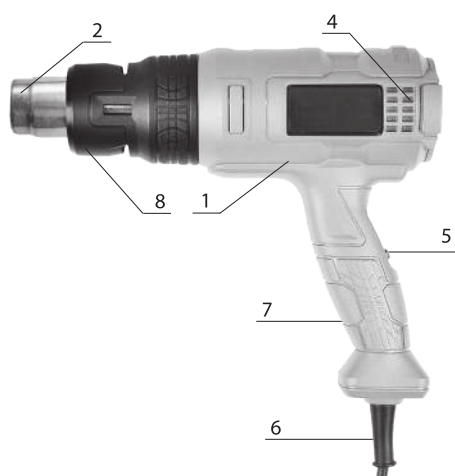
Остаточные риски

Несмотря на соблюдение соответствующих инструкций по технике безопасности и использование предохранительных устройств, некоторые остаточные риски невозможно полностью исключить. К ним относятся:

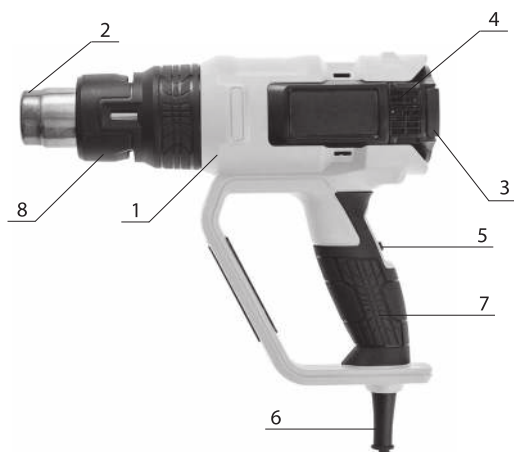
- Травмы и ожоги в результате касания горячих частей инструмента.
- Риск защемления пальцев при смене рабочей оснастки.
- Ущерб здоровью в результате воздействия опасных испарений, возникающих при работе с краской, лаком и подобными материалами.

УСТРОЙСТВО

Общий вид машины представлен на рис. 1.



арт. 28001 (HG-1800)



арт. 28005 (HG-2000M), арт. 28007 (HG-2000E)

Рис. 1

1. Корпус
2. Сопло
3. Панель управления / регулятор температуры (на модели HG-1800 – отсутствует, HG-2000M – механическая панель управления, HG-2000E – электронная панель управления с цифровым дисплеем)
4. Воздухозаборные отверстия
5. Переключатель режима работы
6. Кабель питания
7. Рукоятка
8. Защитное кольцо

Общий вид панели управления HG-2000M представлен на рис. 2.



Рис. 2

1. Поворотный диск регулировки температуры
2. Метка

Общий вид панели управления HG-2000E представлен на рис. 3.

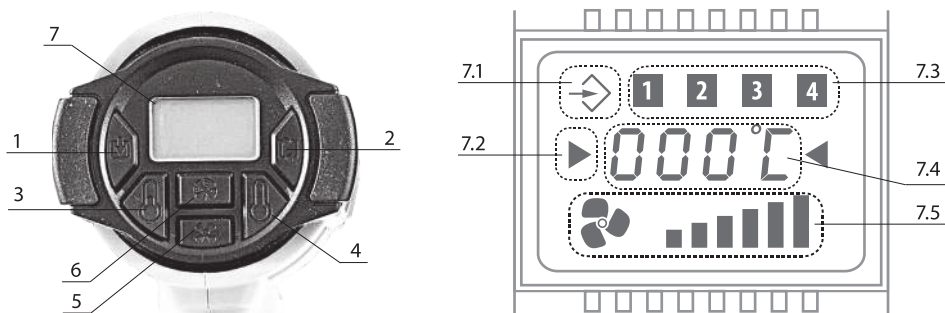


Рис. 3

- | | |
|---|--|
| 1. Сохранение настройки режима работы фена | 7.1. Индикатор изменения предустановленной настройки |
| 2. Клавиша выбора предустановленной настройки | 7.2. Указатель |
| 3. Клавиша уменьшения температуры | 7.3. Сохраненные режимы |
| 4. Клавиша увеличения температуры | 7.4. Индикатор температуры |
| 5. Клавиша уменьшения воздушного потока | 7.5. Индикатор уровня воздушного потока |
| 6. Клавиша увеличения воздушного потока | |
| 7. Дисплей | |

Комплект насадок на технический фен представлен на рис. 4.



Рис. 4

1. Треугольный скребок (используется для снятия краски и лака с плоской поверхности и углов).
2. Плоская насадка (создает широкий тепловой поток на обрабатываемую деталь, идеально подходит для удаления краски или лака с больших плоских поверхностей, таких как плинтусы, двери, лестницы и т.д.; ее следует использовать вместе со скребком).
3. Полукруглая насадка (эта насадка предназначена для разогрева на стыке слоев или различных видов материала).
4. Отражающая насадка округлой формы (создает поток вокруг предмета; идеально подходит для разогревания и пайки труб, изгиба пластика).
5. Насадка прямой формы.

Описание

Фен технический представляет собой машину, состоящую из вентилятора, подающего воздух, и нагревательного элемента. Управление феном осуществляется с помощью выключателя 5 (рис. 1) и на моделях HG-2000M, HG-2000E регулятором температуры 3 (рис. 1).

Машина оборудована эргономичной рукояткой, позволяющей комфортно удерживать инструмент, обеспечивая удобство при работе.

ЭКСПЛУАТАЦИЯ

Установка/снятие насадок



ВНИМАНИЕ!

При установке, снятии, замене оснастки учитывайте, что насадки и сопло инструмента сильно нагреваются. Неосторожное обращение с инструментом при смене насадки может привести к ожогам или порче окружающих предметов.

В комплекте поставки присутствует комплект насадок, который показан на рис. 4. Он предусмотрен для облегчения работы с устройством в различных ситуациях.

Насадки устанавливаются на сопло фена с небольшим усилием. При необходимости для обеспечения надежного крепления насадок рекомендуется подогнуть посадочное кольцо насадки.

Подключение к сети



ВНИМАНИЕ!

Электроинструмент следует подключать только к однофазной сети переменного тока, напряжение которой соответствует напряжению, указанному на табличке характеристик, размещенной на корпусе инструмента. Если на табличке характеристик указано напряжение 230 В, то электроинструмент также можно включать в сеть напряжением 220 В.

При работе на улице используйте удлинители промышленного изготовления, предназначенные для использования вне помещений. Не используйте самодельные удлинители. При работе вне помещений подключайте электроинструмент к цепи питания, снабженной дифференциальным автоматом с током срабатывания не более 30 мА, это снизит вероятность удара электрическим током.

При подключении убедитесь в целостности изоляции электрического кабеля и сетевой вилки машины. Убедитесь, что выключатель питания машины находится в положении «Выключено».

Данный электроинструмент можно подключать к розеткам, не имеющим защитного заземления, поскольку он имеет двойную изоляцию (класс защиты II).

Регулировка скорости подачи воздуха и температурного режима

В зависимости от типа разогреваемого материала и вида работ можно выбрать оптимальную скорость подачи воздуха и температурный режим. Регулировка осуществляется от минимального до максимального значения путем выбора режима работы 5 (рис. 1) и на моделях HG-2000M, HG-2000E регулятором температуры 3 (рис. 1). Данные с характеристиками представлены в таблице 1.

Модель HG-1800

Перевести переключатель режима работы 5 в одно из трех положений.

I – обеспечивается подача воздуха в объеме 250 л/мин при температуре 50 °С. Данный режим используется для сушки и охлаждения фена перед отключением после работы на других режимах.

II – обеспечивается подача воздуха в объеме 250 л/мин при температуре 450 °С.

III – обеспечивается подача воздуха в объеме 500 л/мин при температуре 550 °С.

Модель HG-2000M

Перевести переключатель режима работы 5 в одно из трех положений.

I – обеспечивается подача воздуха в объеме 250 л/мин при температуре 50 °С. Данный режим используется для сушки различных предметов и охлаждения фена перед отключением после работы на других режимах.

II – обеспечивается подача воздуха в объеме 250 л/мин при температуре 50-450 °С.

III – обеспечивается подача воздуха в объеме 500 л/мин при температуре 50-600 °С.

При переключении в режимы II и III регулировка температуры осуществляется вращением диска 1 (рис. 2). Числа, нанесенные на диск, указывают уровень задаваемой температуры – большему числу соответствует большая температура из заданного в таблице 1 диапазона. Числа указывают исключительно на положения регулировочного диска и не отражают температуру выходящего воздуха, выраженную в градусах.

Модель HG-2000E

Перевести переключатель режима работы 5 в одно из двух положений.

I – обеспечивается подача воздуха в объеме 250-500 л/мин при температуре 50 °С. Данный режим используется для сушки различных предметов и охлаждения фена перед отключением после работы на других режимах.

Регулировка производительности фена в данном режиме осуществляется с помощью клавиш 5 и 6 панели управления (рис. 3). Клавиши 1, 2, 3, 4 панели управления в данном режиме не задействованы.

Фен имеет функцию памяти настроек последнего использованного режима, настройки сохраняются при повторном переходе в данный режим, в том числе и после полного отключения от сети питания.

II – обеспечивается подача воздуха в объеме 250-500 л/мин при температуре 50-650 °С.

Регулировка температуры воздушного потока осуществляется с помощью клавиш 3 и 4 панели управления (рис. 3). Изменение температуры при нажатии клавиш осуществляется с дискретностью 10 градусов. Указатель 7.2 (рис. 3) мигает на дисплее, если температура воздушного потока еще не достигла заданной величины, по достижении заданного значения указатель 7.2 гаснет.

Регулировка производительности осуществляется с помощью клавиш 5 и 6 панели управления (рис. 3).

Фен имеет функцию памяти настроек последнего использованного режима, настройки сохраняются при повторном переходе в данный режим, в том числе и после полного отключения от сети питания.

Кроме того, в режиме II имеются 4 предустановленные настройки, которые можно корректировать по желанию пользователя. Для выбора предустановленной настройки используется клавиша 2 (рис. 3), номер используемой настройки отражается в зоне 7.3 дисплея. При изменении ранее сохраненной предустановленной настройки с помощью клавиш 3, 4, 5, 6 на дисплее появляется индикатор 7.1 (рис. 3), свидетельствующий о том, что измененную настройку можно сохранить. Для сохранения настройки нажмите клавишу 1 и удерживайте в течение 2 секунд до отключения индикатора 7.1.

Перед началом эксплуатации необходимо:

- осмотреть машину и убедиться в ее комплектности и отсутствии внешних повреждений;
- убедиться в корректности работы выключателя питания;
- после транспортировки в зимних условиях перед включением выдержать машину при комнатной температуре до полного высыхания конденсата.

Приступая к работе, следует:

- проверить надежность фиксации насадки;
- убедиться в том, что клавиша выключателя питания находится в положении «Выключено», после чего подключить машину к сети питания;
- опробовать нормальное переключение выключателя машины между режимами работы.

Для включения фена необходимо перевести выключатель 5 (рис. 1) в одно из рабочих положений. Для отключения рекомендуется сначала перевести переключатель режимов в положение «I», выдержать фен при работе с минимальной температурой в течение 20-40 сек, затем перевести переключатель 5 (рис. 1) в положение «0». **После выключения питания фен необходимо поставить на твердую горизонтальную поверхность соплом вверх для безопасного остывания.**

Во время работы:

- не допускайте механических повреждений, ударов, падения машины на твердые поверхности и т.п.;
- оберегайте машину от воздействия интенсивных источников тепла или химически активных веществ, а также от попадания жидкостей и посторонних твердых предметов внутрь машины;
- не перекрывайте и не загораживайте вентиляционные отверстия в корпусе машины;
- выключайте машину с помощью выключателя перед подключением/отключением от сети электропитания;
- не касайтесь сопла/насадки и нагреваемого предмета, так как они могут иметь очень высокую температуру, что вызовет ожог;
- не подводите сопло/насадку слишком близко к обрабатываемому предмету – это может затруднить выход горячего воздуха из сопла и привести к перегреву;
- ни в коем случае не заглядывайте в сопло/насадку при работе – поток воздуха может содержать раскаленные частицы пыли, что приведет к травме глаза;
- надевайте защитные перчатки и очки;
- ни в коем случае не направляйте поток горячего воздуха на людей и животных;
- ни в коем случае не используйте инструмент для сушки волос;
- не оставляйте инструмент, подключенный к сети питания, без присмотра;
- ни в коем случае не пользуйтесь инструментом вблизи воспламеняющихся газов и горючих веществ (повышенная взрывоопасность);
- при работе с пластмассой, краской, лаком и подобными материалами могут выделяться воспламеняющиеся и ядовитые газы; заранее выясните, какие материалы будут обрабатываться и как они реагируют на нагрев;
- примите во внимание, что тепло может быть передано горючим веществам вне поля зрения;
- для безопасности имейте огнетушитель или другие средства пожаротушения на случай воспламенения каких-либо предметов.

По окончании работы:

- отключите машину от электросети, убедившись, что выключатель находится в положении «Выключено»;
- перед укладкой инструмента на хранение дайте ему остыть в течение, как минимум, 30 минут;
- очистите машину и ее дополнительные принадлежности от грязи и пыли.

ТЕХНИЧЕСКОЕ ОБСЛУЖИВАНИЕ



ВНИМАНИЕ!

Перед началом работ по обслуживанию машины отсоедините вилку шнура питания от штепсельной розетки. Для обеспечения качественной и безопасной работы следует постоянно содержать электроинструмент и вентиляционные отверстия в чистоте.

- Если вы заметили снижение скорости подачи воздуха и температуры нагрева воздуха при работе, то необходимо сдать устройство в центр технического обслуживания для его диагностики и ремонта.
- **Уход за электродвигателем.** Необходимо особенно бережно относиться к электродвигателю, не допускать попадания жидкостей и посторонних предметов внутрь корпуса. Следите за чистотой вентиляционных отверстий, регулярно продувайте их сжатым воздухом или очищайте щеткой. При появлении заметных искр в вентиляционных отверстиях корпуса двигателя обратитесь в авторизованный сервисный центр для диагностики и, возможно, замены угольных щеток.

В случае любого повреждения шнура питания немедленно выключите машину, аккуратно, не касаясь мест повреждения, отключите ее от электросети.



ВНИМАНИЕ!

В машинах используется шнур питания с креплением типа Y: в целях безопасности его замену должен осуществлять персонал уполномоченных ремонтных мастерских.

ВОЗМОЖНЫЕ НЕИСПРАВНОСТИ И СПОСОБЫ ИХ УСТРАНЕНИЯ

Неисправность	Причина	Способ устранения
Инструмент выключается во время работы.	Перегрев в результате неправильной эксплуатации.	Установить фен соплом вверх, дождаться остывания. Изучить настоящую инструкцию.
Инструмент не включается.	Обрыв шнура питания или монтажных проводов, неисправность вилки шнура питания.	Обратиться в сервисный центр.
	Неисправен выключатель.	Обратиться в сервисный центр.
	Перегрев.	Установить фен соплом вверх, дождаться остывания.
При работе из вентиляционных отверстий появляется дым или запах горелой изоляции.	Неисправность привода вентилятора.	Обратиться в сервисный центр.
	Неисправность электрической части инструмента.	Обратиться в сервисный центр.
Повышенный шум или вибрация инструмента.	Засорение или разрушение крыльчатки вентилятора.	Обратиться в сервисный центр.

RU

Техническое обслуживание проводить в специализированных сервисных центрах. Список сервисных центров представлен на сайте <http://ipsremont.ru/kontakty/>.

Перечень критических отказов

- не использовать при сильном искрении;
- не использовать при появлении сильной вибрации;
- не использовать с перебитым или оголенным электрическим кабелем;
- не использовать при появлении дыма непосредственно из корпуса изделия.

Возможные ошибочные действия персонала

- не использовать с поврежденной рукояткой или поврежденным защитным кожухом;
- не использовать на открытом пространстве во время дождя;
- не включать при попадании воды в корпус.

Критерии предельных состояний

- перетерт или поврежден электрический кабель;
- поврежден корпус изделия.

Действия персонала в случае инцидента или критического отказа

1. Выключить инструмент.
2. Отключить инструмент от электросети.
3. Обратиться в сервисный центр.

УТИЛИЗАЦИЯ

Машина, выработавшая назначенный срок службы, подлежит утилизации в соответствии с правилами, установленными природоохранным и иным законодательством страны, в которой эксплуатируется машина.

ТРАНСПОРТИРОВКА

Во время транспортировки недопустимо прямое воздействие осадков, прямых солнечных лучей, нагрева и ударов. Транспортировка должна осуществляться только в фирменной упаковке при температуре окружающей среды от -20 °С до +40 °С.

ХРАНЕНИЕ

Во время назначенного срока службы храните машину в сухом отапливаемом помещении. Рекомендуемая температура хранения от 0 °С до +40 °С. Храните машину в фирменной упаковке.

Перед помещением машины на хранение снимите рабочую оснастку.

СРОК СЛУЖБЫ

Средний срок службы изделия при условии соблюдения потребителем правил эксплуатации составляет 5 лет.

ГАРАНТИЙНЫЕ ОБЯЗАТЕЛЬСТВА

На изделие распространяется гарантия производителя.

Период гарантийного обслуживания указан в гарантийном талоне и исчисляется с момента продажи. Правила гарантийного обслуживания приведены в гарантийном талоне.

ИМПОРТЕР

Импортер и продавец в РФ: ООО «МИР ИНСТРУМЕНТА», 142700, РФ, МО, г. Видное, ул. Радиальная 3-я, д. 8, пом. 1-Н, ком. 2; в РК: ТОО «Мир инструмента-Алматы», РК, Алматинская обл., Карасайский р-н, Ельтайский с/о, с. Береке. Телефон: +7 (495) 234-41-30.

Изготовитель: Zhejiang Prulde Electric Appliance Co., Ltd. Industry Development Zone of Xiaoshun Town, Jinhua City, Zhejiang.

Сделано в Китае.

Изделие соответствует следующим нормативным документам:
ТР ТС 004/2011 «О безопасности низковольтного оборудования»,
ТР ТС 020/2011 «Электромагнитная совместимость технических средств»,
ТР ТС 037/2016 «Об ограничении применения опасных веществ в изделиях электротехники и радиоэлектроники».





**МИР
ИНСТРУМЕНТА**

Гарантийный талон

срок гарантии 36 месяцев

ВНИМАНИЕ!

Пожалуйста, требуйте от продавца полностью заполнить все поля гарантийного талона.

Наименование изделия:

Серийный номер:

Дата продажи:

Наименование и адрес торговой организации:

Изделие проверено в присутствии потребителя:

Печать торговой организации и подпись продавца:

Благодарим вас за приобретение нашей продукции. Фирма-изготовитель предоставляет на приобретенное вами изделие настоящую гарантию сроком на 36 месяцев со дня продажи.

ВНИМАНИЕ! ИЗДЕЛИЕ В ГАРАНТИЙНУЮ МАСТЕРСКУЮ СДАЕТСЯ В ЧИСТОМ ВИДЕ.

Гарантийные обязательства компании ООО «МИР ИНСТРУМЕНТА»

При покупке изделия требуйте проверки его комплектности и исправности в вашем присутствии, инструкцию по эксплуатации на русском языке и заполненный гарантийный талон.

Перед началом работы с данным изделием следует внимательно ознакомиться с инструкцией по эксплуатации. Все условия гарантии соответствуют действующему законодательству РФ.

Гарантийный срок на данное изделие составляет 36 месяцев и исчисляется со дня продажи конечному потребителю.

На аккумуляторные батареи, входящие в комплект поставки инструмента, а также на продающиеся отдельно гарантийный срок составляет 12 месяцев.

В случае устранения недостатков товара гарантийный срок на него продлевается на период, в течение которого товар находился в ремонте. Указанный период исчисляется со дня обращения потребителя с требованием об устранении недостатков товара до дня выдачи его по окончании ремонта.

Гарантийные обязательства распространяются только на неисправности, выявленные в течение гарантийного срока и обусловленные производственными или конструктивными факторами.

Гарантия не распространяется:

- Если детали были подвержены рабочему и другим видам естественного износа, а также при неисправности инструмента, вызванной данными видами износа.
- На неисправности инструмента, вызванные несоблюдением инструкций по эксплуатации или произошедшие в результате использования инструмента не по назначению, во время использования при неблагоприятных условиях окружающей среды, ненадлежащих производственных условиях, вследствие перегрузок или недостаточного, ненадлежащего технического обслуживания или ухода, в том числе при засорении топливной системы, самостоятельной регулировке карбюратора, работе при пониженном или повышенном напряжении питающей сети.
- При использовании изделия в условиях высокой интенсивности работ и сверхтяжелых нагрузок. К безусловным признакам перегрузки изделия относятся, помимо прочего, появление цветов побежалости, деформация или оплавление деталей и узлов изделия, потемнение или обугливание изоляции проводов под воздействием высокой температуры, коробление деталей и корпуса двигателя.
- На механические повреждения (трещины, сколы и т.д.) и повреждения, вызванные воздействием агрессивных сред, высокой влажности и высоких температур, попаданием инородных предметов в вентиляционные отверстия электроинструмента, а также повреждения, наступившие вследствие коррозии металлических частей и неправильного хранения.
- На естественный износ принадлежностей, быстроизнашивающихся частей и расходных материалов, таких как свечи зажигания, ручные стартеры ДВС, фильтры, приводные ремни, направляющие ролики, резиновые амортизаторы, уплотнители, прокладки, сальники, манжеты и другие РТИ, шины колес, защитные кожухи, пыльные цепи, пыльные шины, ведущие и ведомые звездочки, крыльчатки насосов, лески и головки для триммера, кабели питания, сварочные кабели, зажимы массы и электрододержатели, шланги, моечные пистолеты, форсунки, пенокомплекты, цанги, патроны, подошвы, угольные щетки, стволы перфораторов, ножи, пилки, абразивы, сверла, буры и т.п.
- При наличии следов вскрытия, ремонта или модификации инструмента вне уполномоченного сервисного центра.
- На повреждения и дефекты, вызванные неблагоприятными атмосферными и иными внешними воздействиями на изделие, такими как дождь, снег, повышенная влажность, нагрев, агрессивные среды, стихийное бедствие.
- В случае использования принадлежностей, расходных материалов и запасных частей, ГСМ, не рекомендованных производителем.
- На профилактическое и техническое обслуживание изделия, например: регулировку, чистку, смазку, замену расходных материалов и другие виды работ, не связанные с производственным дефектом.

Средний срок службы изделия – 5 лет.

Устранение неисправностей, признанных как гарантийный случай, осуществляется на выбор компании посредством ремонта или замены неисправного инструмента на новый (возможно, на модель следующего поколения). Замененные инструменты и детали переходят в собственность компании.

Гарантийные претензии принимаются в течение гарантийного срока. Для этого необходимо предъявить или отправить неисправный инструмент в сервисный центр (адреса и контактные данные указаны на сайте ipsremont.ru) или в торговую точку по месту приобретения товара, приложив заполненный гарантийный талон, подтверждающий дату покупки товара и его наименование. Инструмент, направленный в торговую точку или в сервисный центр в частично или полностью разобранном виде, под действие гарантии не подпадает. Все риски по пересылке инструмента в торговую точку или в сервисный центр несет владелец инструмента. Другие претензии, кроме упомянутого права на бесплатное устранение недостатков инструмента, под действие гарантии не подпадают.

С уважением, компания ООО «МИР ИНСТРУМЕНТА»

Изделие проверялось в моем присутствии, исправно, укомплектовано, внешний вид без повреждений. Всю необходимую для использования данного изделия информацию и руководство от продавца получил, с условиями гарантии ознакомлен и согласен, правильность заполнения гарантийного талона проверил.

----- Подпись покупателя

Адреса и телефоны сервисных центров вы можете найти на сайте www.ipsremont.ru или уточнить в филиалах компании ООО «МИР ИНСТРУМЕНТА». Адреса и телефоны филиалов указаны на официальном сайте компании ООО «МИР ИНСТРУМЕНТА» www.instrument.ru.



СВЕДЕНИЯ О РЕМОНТЕ

№1 №1

ОТРЫВНОЙ ТАЛОН



Заполняется сервисным центром

Сервисный наряд №

Дата поступления

Дата выдачи

Наименование сервиса

Исполнитель Ф.И.О.

Печать сервисного центра и подпись ответственного лица

МП

Заполняется продавцом

Наименование изделия

Серийный номер

Дата продажи

МП

Печать торговой организации



СВЕДЕНИЯ О РЕМОНТЕ

№2 №2

ОТРЫВНОЙ ТАЛОН



Заполняется сервисным центром

Сервисный наряд №

Дата поступления

Дата выдачи

Наименование сервиса

Исполнитель Ф.И.О.

Печать сервисного центра и подпись ответственного лица

МП

Заполняется продавцом

Наименование изделия

Серийный номер

Дата продажи

МП

Печать торговой организации



СВЕДЕНИЯ О РЕМОНТЕ

№3 №3

ОТРЫВНОЙ ТАЛОН



Заполняется сервисным центром

Сервисный наряд №

Дата поступления

Дата выдачи

Наименование сервиса

Исполнитель Ф.И.О.

Печать сервисного центра и подпись ответственного лица

МП

Заполняется продавцом

Наименование изделия

Серийный номер

Дата продажи

МП

Печать торговой организации

Заполняется сервисным центром

Сервисный наряд №

Дата поступления

Дата выдачи

Наименование сервиса

Исполнитель Ф.И.О.

Контактная информация пользователя

Ф.И.О.:

Адрес:

Телефон:

Подпись покупателя _____ МП



Заполняется сервисным центром

Сервисный наряд №

Дата поступления

Дата выдачи

Наименование сервиса

Исполнитель Ф.И.О.

Контактная информация пользователя

Ф.И.О.:

Адрес:

Телефон:

Подпись покупателя _____ МП



Заполняется сервисным центром

Сервисный наряд №

Дата поступления

Дата выдачи

Наименование сервиса

Исполнитель Ф.И.О.

Контактная информация пользователя

Ф.И.О.:

Адрес:

Телефон:

Подпись покупателя _____ МП