

# HYUNDAI

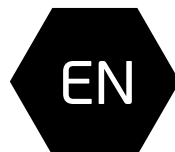


## Генератор горячего воздуха дизельный (воздухонагреватель)

Руководство по эксплуатации.  
Гарантийный талон.

## Diesel forced heater

Instruction manual.  
Warranty card.



## Модели / Models

H-HD2-20-UI586  
H-HD2-30-UI587  
H-HD2-50-UI588

**Table of contents**

Introduction	3
1. General	3
Stock number interpretation	3
Appearance	4
Package contents	4
Technical specifications	5
2. Safe operation and installation of diesel forced heater	6
3. Disposal	8
4. Assamble and installation	8
5. Operation	9
6. Service	10
7. Troubleshooting	11
8. Transportation and storage	12

## INTRODUCTION

Before installing and using the appliance, please very carefully read this instruction manual and manufacturer's warranty liabilities. Keep the instruction manual for future reference. If you hand over the appliance to another user, please hand over the instruction manual as well.

For more details or resolution of any occurred problems, please visit Hyundai website at [www.hyundai-hvac.com](http://www.hyundai-hvac.com). You can also contact the nearest regional service center of the manufacturer. If there are no service centers of the manufacturer in your region, please contact the regional dealer of Hyundai.

The content of this instruction manual has been checked and approved. The manufacturer is not responsible for any spelling mistakes in the text and incorrect interpretation of the instruction manual content.

The appearance, specifications, and package contents of the appliance can be modified by the manufacturer without preliminary

## 1. GENERAL

### Description

Diesel forced heaters direct heating Hyundai - reliable and effective way to heat large space. They can use diesel all types of fuel are therefore suitable for use for all climatic zones. Liquid fuel substantially completely combusted in the combustion chamber, after which the hot air is blown into the serviced room. Efficiency Series Etna is close to 100%. The perfect system Security makes diesel thermal generators Hyundai maximally reliable in operation.

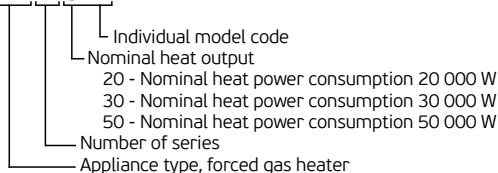
Diesel Hyundai forced heaters series Etna - professional appliances, ready to use in the harshest conditions. Careful monitoring at all stages of production ensures trouble-free job. Hyundai engineer's vast experience in the field industrial and semi-industrial solutions allows us to give the market a product that does not yield the most recognized manufacturers in the market.



## Stock number interpretation

Appliance series

H-HD-XX-UIXXX



## Appearance

- A – Hot air outlet
- B – Handle
- C – Upper shell
- D – Fuel tank
- E – LED-display
- F – Thermostat knob
- G – Power switch
- H – Back protective grill
- I – Pressure gauge
- J – Fuel cap
- K – Fuel gauge
- L – Power cord

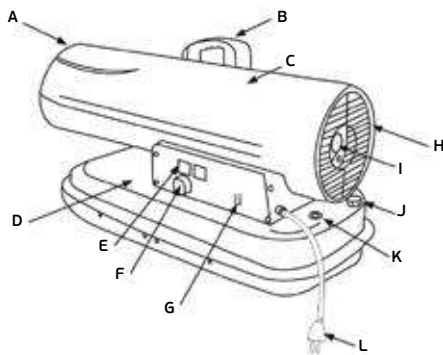


Fig. 1

EN

## Package contents

1. Gas forced heater - 1 pc.
2. Mounting set - 1 pc.
3. Operation manual and Warranty card - 1 pc.



### NOTE:

Design and technical characteristics of the appliance, as well as its complete set may be changed by the manufacturer without prior notification, when it is needed to improve its quality.

## Technical specifications

Table 1

		H-HD2-20-UI580	H-HD2-30-UI581	H-HD2-50-UI582
Nominal heat output	W	20000	30000	50000
Fuel Consumption	kg/h	1,7	2,4	4,0
Fuel Orifice Port Size	mm	0,7	0,8	1,25
Air flow temperature	oC	420	430	360
Fuel type		Diesel	Diesel	Diesel
Gas cylinder type (maximum capacity)	m <sup>3</sup> /h	595	720	1100
Rated voltage	V/Hz	~220/50	~220/50	~220/50
Nominal power consumption	W	250	250	340
Rated current	A	1,14	1,14	1,55
Type of Ignition		piezo	piezo	piezo
Overheating Protection	oC	100	120	85
Protection class		IPX4	IPX4	IPX4
Electric protection class		Class I	Class I	Class I
Weight	kg	14,3	20,8	27,4
Dimensions	mm	415x750x315	630x920x456	615x1050x490

For more detailed description of technical parameters and specifications please refer to our website [www.hyundai-hvac.com](http://www.hyundai-hvac.com) or ask from the official dealers of Hyundai.

EN



### ATTENTION!

The manufacturer reserves the right to change the set-list of the device (including liquid and powder components) for different supplies without prior notice. The changes either in no way influence the basic technical parameters of the device or may improve them, and also not violate the legislation or quality standards of the countries of manufacture, transit and selling.

The changes in the set-list may result in changing of the weight and dimensions of the device, but not more than by +/- 5-20% (depending on the product category)

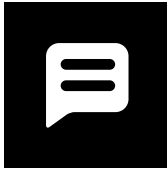
## 2. SAFE OPERATION AND INSTALLATION OF DIESEL FORCED HEATER

When operating appliance please observe safety rules. Improper operation or ignoring these rules can lead to harming health of the user and other people as well as damage to their property. The manufacturer is not liable for personal injury and damage property resulting from improper installation and operation of the device.

### GENERAL SAFETY RULES

1. Read all instructions before using the heater.
2. The heater warms during operation up to very high temperature. To avoid burns, do not touch hot surfaces of the appliance by hand and other body parts.
3. The appliance should be placed far from flammable and easily deformable objects.
4. Make sure that the appliance body and heating plates get cold before demounting and placing the appliance to the package for long storage.
5. When the appliance is not used for a long time, keep it in dry cool place in the factory cardboard package.
6. **WARNING! DO NOT COVER THE APPLIANCE**, when it works. Do not dry clothes and any other fabrics/materials on the appliance. This may lead to its overheating, ignition, breakdown, or infliction of a significant damage to you and/or your property.

EN



### NOTE:

The manufacturer considers this type of failure a nonguaranteed event.

7. **WARNING!** Fabrics, clothes, and other flammable materials may ignite, if they are placed near the face plate of the working appliance.
8. The appliance should be always attended, especially if there are children thereabout. Carefully watch that children do not touch the appliance by hand.
9. Do not use heater for heating human quarters.
10. Do not use in unventilated areas.
11. The flow of combustion and ventilation air must not be obstructed.
12. Proper ventilation air must be provided to support the combustion air requirements of the heater being used.
13. Lack of proper ventilation air will lead to improper combustion. Improper combustion can lead to carbon monoxide poisoning leading to serious injury or death. Symptom of carbon monoxide poisoning can include headaches dizziness and difficulty in breathing.
14. Never use the appliance in the situation, when it may contact water.
15. When the appliance is switched on and it works, do not touch its surface and control unit surface by wet hand and any body parts
16. It is prohibited to install and use the appliance in bathrooms, showers, or near swimming pools, where water jets and drops may directly get onto the appliance surface, when it is switched on.
17. Never try to repair the heater yourself. This may inflict harm to your health and affect the warranty service of the appliance.
18. Do not insert fingers and exclude penetration of foreign objects to any vents, air intakes, or outlets, since this may result in burn, other injuries, or damage of the heater.
19. To prevent possible fire, do not block the air intakes and outlets anyhow. Do not hang or dry things on the heater! Use the heater only on even dry surface.
20. The heater works with open flame and contains hot/sparking components inside. Do not use the heater in places of handling or storage of gasoline, paint, or any other flammable liquids.
21. Use the heater only as described in this Manual. Any other use not recommended by the manufacturer.

turer may lead to fire, or injuries of people.

22. Never clean the heater, when it works. Do not submerge the heater into water.

23. It is prohibited to install the appliance immediately under an electric socket or under a wired electric cable, when the output heat flows get to them. This may result in their overheating causing an emergency situation.

24. Install and operate the appliance in strictly vertical position. It is prohibited to operate the appliance in horizontal or inclined positions.

25. Do not take any action that could ignite the fuel.

26. Do not operate any electrical switches.

27. Do not pull any power supply or extension cords.

28. Do not light matches or any other source of flame.

29. The appliance is not designed for use by people (including children) with limited physical, sensory, or mental capabilities and having insufficient experience/knowledge, if they are not supervised and instructed on use of the device by a person responsible for their safety. It is necessary to watch that children do not play with the heater.



## **DANGER!**

The use of gasoline is strictly prohibited. It is high voltage fuel that can cause an explosion or uncontrolled flames.

Never use the heater where flammable vapors may be present, there is danger of explosion, fire and burning.

Always provide adequate ventilation during the use. Only use the appliance in well-ventilated area, the air must be regular exchanged during the use (two times/one hour), inadequate burning caused by oxygen shortage can cause carbon monoxide poisoning.



## **WARNING!**

Don't use spray products at the location where the heater is used, the gas from the spray tin can cause danger of fire and explosion.

Don't use the appliance in place with combustible powder (wastepaper, wood crumbs, fiber scraps), if these powder are sucked in the heater up, flake and spark may be ejected out and cause fire and burning danger.

Never block air inlet or heating part, it can cause abnormal burning and fire.

Never modify the heater, alteration may cause malfunction and fire, is very dangerous.

Don't expose the appliance to rain or snow. Never use it in humidity places either. Pull out the plug before the routine maintenance and examination.



## **ATTENTION!**

In order to prevent fire while in operation, please don't place articles neat the heater. Keep all combustible material away from heater.

Minimum clearances: Outlet (front) 3 m., air inlet (rear) 2 m., top 2 m., side 2 m.

While in operation, make sure that the ground surface does not overheat, overheating may cause fire.

Do not fill fuel tank while heater is in operation, make sure the heater stops and flame is out. Filing while in operation may result causing fire.

Before use the appliance, make sure that the voltage and frequency on site is in accordance with the ones shown on rating label.



### WARNING!

Disregard of the safety precautions and this instruction manual supplied with the heat source can cause severe injury, death or damage to your property from the hazards of operation, fire, explosions, and burns, suffocation products of combustion or gas, and electric shock.

To operate this device can a people that is able to read, understand and follow all the instructions described in this manual manufacturer.

## 3. DISPOSAL

Detailed information on the recycling can be obtained from representative of the local authority. Service life of the device specified in the warranty card.

## 4. ASSEMBLY AND INSTALLATION

1. Carefully remove the heater from the package.
2. Make sure that the heating elements and other parts of the appliance have no remaining crumbles of packing foam plastic or other debris.
3. Fill the tank with diesel fuel.
4. Connect the heater to a suitable electric socket ~220V, 50Hz. Make sure that the machine is properly earthed.

### How to fill the tank

- Make sure the power plug is removed from the power source and the power switch is in OFF position «0»
- Place the appliance on the stable and level ground, remove the fuel cap and fill the fuel tank with fuel filter installed.
- Do not overfill the heater. See the fuel level position.
- Check if there is water or waste in the fuel tank, clean the tank if it's dirty.
- Fill diesel in fuel tank with oil pump only when the fuel filter is proper installed, after the filling turn the cap clockwise and tighten it.



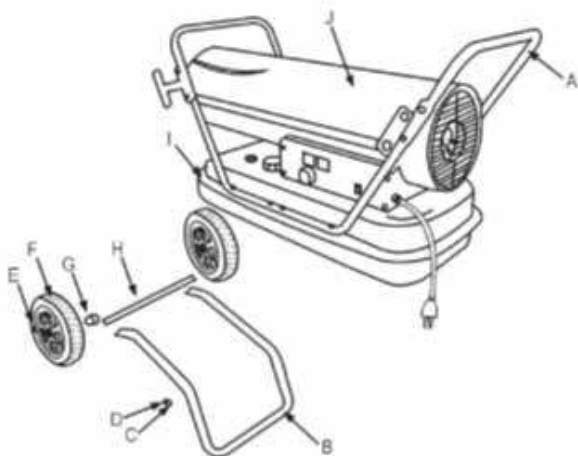
### ATTENTION!

For ignition of the device never use matches or lighters or other sources of the open flame

### The installation of wheels and tubular frame

1. Insert the wheel axle in the corresponding hole in the bottom of the tubular frame, set sleeve "G" at both ends, and put the wheel "F" on wheel axle "H". Install the hub cap wheel "E".
2. Set the body of the heater at the bottom of the tubular frame "B" make sure that the 4 holes of the top frame is directed to the appropriate holes on the bottom of the tubular frame.
3. Insert the screws "J" in the hole, install flat washers "D" below the bottom frame "B" and tighten using the hexagonal key "C".
4. Insert the remaining screws into the holes using a screwdriver to tighten them in the same way.





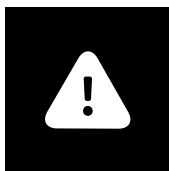
## 5. OPERATION

### Preparing

1. Check the heater for possible shipping damage.
2. Never use high volatile fuel such as gasoline etc.
3. Fill the fuel tank with diesel fuel as specified in this manual observing all measures Cautions or check the fuel tank and make sure there is enough fuel in it.
4. Connect power cord to well-grounded ~220V, 50Hz source of power.

### Start

1. Install the switch in position « I » and make sure that the fan is working properly, indicator lights up.
2. When you turn the fuel automatically ignites the flame of the burner and the device starts.
3. If burning flame not started, turn the switch to "0" (off) and repeat step 2.
4. Adjust the thermostat in accordance with the desired heat output, rotating the handle counterclockwise to increase or counterclockwise to decrease it.



### ATTENTION!

If the ignition has not happened immediately before to repeat the operation, make sure that the fan is not blocked, and that the input and output of the air nothing prevents.



### ATTENTION!

If the heater does not start after the third attempt or no flame has a peculiar odor, immediately turn off the unit and contact an authorized service center for Hyundai.



### Shutdown

To turn off of the appliance you need install the switch fan position «Off». Let the fan runs until the flame shall not be quenched.

## Working principles

Under the influence of the air pump air moves in and the air duct passes through the burner nozzle, causing fuel to climb out of the tank via the fuel pipe. Atomized fuel injected into the combustion chamber.

Electronic Igniter energizes the candle ignition. Spark ignites the fuel-air mixture.

The motor rotates the fan, under the action of which air moves into the combustion chamber and around it. Warms up, it forms a stream of pure hot air output.

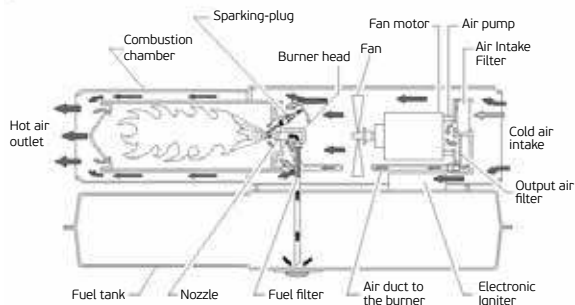


Fig. 2

EN

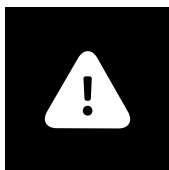


## WARNING!

### Asphyxiation Hazard

1. Do not use heater for heating human quarters.
2. Do not use in unventilated areas.
3. The flow of combustion and ventilation air must not be obstructed.
4. Proper ventilation air must be provided to support the combustion air requirements of the heater being used.
5. Lack of proper ventilation air will lead to improper combustion.
6. Improper combustion can lead to carbon monoxide poisoning leading to serious injury or death. Symptom of carbon monoxide poisoning can include headaches dizziness and difficulty in breathing.

## 6. SERVICE



## ATTENTION!

See «SAFE OPERATION AND INSTALLATION OF DIESEL FORCED HEATER»

1. The appliance should be regularly washed to remove dust and dirt from outer surfaces, since they affect efficiency of its operation and temperature parameters of room heating. Before commencing preventive maintenance, switch the appliance off and let the appliance cool down and then wipe its surface with slightly wet soft rag.
2. Detergents including those containing abrasives in composition are not recommended for washing. Exclude damage of the appliance with sharp objects, since scratches on the painted surface may result in rusting.
3. The rear surface of the appliance also should be periodically cleaned to remove dust and dirt. The procedure of preventive cleaning should be carried out periodically to maintain the technical condition of the heater and keep its appearance for long years.



## ATTENTION!

Before cleaning the unit, disconnect it from the mains.

## Cleaning Recommendations

Fuel tank wash every 150-200 hours of operation or as needed.

Air Intake filter wash with soap and water and dry the every 500 hours of operation or as needed.

Fuel filter clean twice per heating season or as needed.

Fan blades clean once per heating season or as needed.

## Cleaning the filter

1. Unscrew the cap on the housing, disconnect the fuel hose from the filter.
2. Unscrew the fuel cap, remove the transparent tube.
3. Clean (replace if necessary) the fuel filter, reassemble everything in reverse order, replace, screw the lid on the body.

## Fuel tank cleaning

Periodically check the purity of the fuel tank. Over time it can accumulate deposits and condensate.

1. Install the heater on a level surface, put him under capacity for fusion fuel.
2. Unscrew the drain nut, drain the remaining fuel. Tighten the nut.
3. Fill the tank with 2.1 liters of pure kerosene, shake, and drain through the drain hole.



## 7. TROUBLESHOOTING

Troubleshooting	Possible causes	Removal
Smoke, strange smell when you first start	<ul style="list-style-type: none"> <li>• Possible accumulation of dust inside the housing, grease residues.</li> </ul>	<ul style="list-style-type: none"> <li>• After 5-10 minutes, everything should return to normal</li> </ul>
Claps, uneven burning flame	<ul style="list-style-type: none"> <li>• Air in the fuel line</li> <li>• Poor quality fuel</li> </ul>	<ul style="list-style-type: none"> <li>• After 5 minutes of stop clapping.</li> <li>• Use a high-quality fuel</li> </ul>
Extraneous sounds when burning or run	<ul style="list-style-type: none"> <li>• Expansion of metal parts by heating</li> </ul>	<ul style="list-style-type: none"> <li>• After warming up everything returns to normal</li> </ul>
The device does not start	<ul style="list-style-type: none"> <li>• No power, low voltage network</li> </ul>	<ul style="list-style-type: none"> <li>• Connect the power supply ~220V/50Hz</li> </ul>
The appearance of smoke	<ul style="list-style-type: none"> <li>• Dirty fuel filter</li> <li>• The water in the tank</li> <li>• Poor fuel quality</li> </ul>	<ul style="list-style-type: none"> <li>• Clean the filter</li> <li>• Clean the fuel tank</li> <li>• Use a high-quality fuel</li> </ul>

If you are not able to remedy a malfunction according to the recommendations or other malfunctions occur, contact the authorized service center of Hyundai.



### ATTENTION!

Work in setting up the basic units, as well as associated with the replacement of (cleaning) spark plugs, nozzles, air filters, pipes, etc. conducted only a authorized service Hyundai.

## 8. TRANSPORTATION AND STORAGE

Temperature requirements*	Transportation and storage	From -30° to +50°
Humidity requirements*		From 15% to 85% (without a condensate)

We are exploring new technologies and we constantly improving the quality of our products. That's why specifications, design and accessories are subject to change without any specific notice.

\* This product must have storage in dry, well-ventilated space of warehouse at the temperature not lower than -30°

## Содержание

Введение	14
1. Обзор	14
Описание	14
Расшифровка артикула	14
Внешний вид	15
Комплектация	15
Технические параметры	16
2. Правила безопасной эксплуатации и установки генератора горячего воздуха дизельного (воздухонагревателя)	17
Общие правила безопасности	17
3. Утилизация	20
4. Сборка и установка	20
5. Эксплуатация	21
6. Обслуживание	22
7. Поиск и устранение неисправностей	23
8. Транспортировка и хранение	24
9. Сертификация	24



## Уважаемый покупатель!

Благодарим Вас за удачный выбор и приобретение генератора горячего воздуха дизельного (воздухонагревателя) Hyundai. Он прослужит Вам долго.

## ВВЕДЕНИЕ

Перед установкой и использованием прибора очень внимательно изучите данное руководство и гарантийные обязательства производителя. Сохраните руководство для дальнейшего использования в качестве справочного материала. В случае передачи другому пользователю передайте ему прибор вместе с данным руководством. Для получения дополнительной информации или в случае возникновения проблем посетите сайт Hyundai [www.hyundai-hvac.com](http://www.hyundai-hvac.com). Можно также обратиться в ближайший региональный сервисный центр производителя. Если в Вашем регионе не представлен сервисный центр производителя, обратитесь к региональному дилеру Hyundai. Содержание данного руководства было проверено и одобрено. Производитель не несёт ответственности за любые орфографические ошибки в тексте и неверное толкование содержания руководства. Внешний вид, характеристики и комплектация прибора могут быть изменены производителем без предварительного уведомления об этом.

## 1. ОБЗОР

### Описание

Генератор горячего воздуха дизельный (воздухонагреватель) прямого нагрева Hyundai — надежный и эффективный способ обогревать большие пространства. Они могут использовать дизельное топливо всех типов, поэтому подходят для эксплуатации для всех климатических зон. Жидкое топливо практически полностью сгорает в камере сгорания, после чего горячий воздух выдувается в обслуживаемое помещение. Коэффициент полезного действия серии Etna приближается к 100%.

Совершенная система безопасности делает воздухонагреватели Hyundai максимально надежными в эксплуатации.

Серия Etna — профессиональные приборы, готовые к эксплуатации в самых суровых условиях. Тщательный контроль производства на всех стадиях гарантирует безотказную работу. Огромный опыт инженеров Hyundai в области промышленных и полупромышленных решений позволяет дать рынку продукт, не уступающий самым признанным производителям на рынке.

## Расшифровка артикула

серия прибора

H-HD-XX-UHXXX

- Индивидуальный код модели
- Номинальная тепловая мощность
  - 20 – номинальная тепловая мощность 20 000 Вт
  - 30 – номинальная тепловая мощность 30 000 Вт
  - 50 – номинальная тепловая мощность 50 000 Вт
- Номер серии

— Тип прибора. H-HD - Генератор горячего воздуха дизельный (воздухонагреватель)

## Внешний вид

- A – Выход горячего воздуха
- B – Ручка для перемещения
- C – Внешний корпус теплогенератора
- D – Топливный бак
- E – LED-дисплей
- F – Ручка термостата
- G – Выключатель электропитания
- H – Защитная решетка вентилятора
- I – Манометр
- J – Крышка топливного бака
- K – Манометр топлива
- L – Провод электропитания

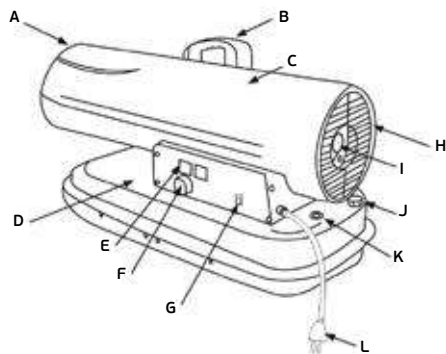


Рис. 1



## Комплектация

1. Генератор горячего воздуха дизельный (воздухонагреватель) - 1 шт.
2. Установочный комплект - 1 шт.
3. Руководство по эксплуатации и Гарантийный талон - 1 шт.

## Технические параметры

Таблица 1

		H-HD2-20-UI580	H-HD2-30-UI581	H-HD2-50-UI582
Номинальная тепловая мощность	Вт	20000	30000	50000
Номинальный расход топлива	кг/ч	1,7	2,4	4,0
Тип топлива		Дизельное	Дизельное	Дизельное
Объем топливного бака	л	19	38	56
Производительность по воздуху	м³/ч	595	720	1100
Номинальное напряжение питания	В/Гц	~220/50	~220/50	~220/50
Номинальная потребляемая электрическая мощность	Вт	250	250	340
Номинальная сила тока	А	1,14	1,14	1,55
Порог защиты от перегрева	°С	100	120	85
Степень защиты		IPX4	IPX4	IPX4
Класс электозащиты		Class I	Class I	Class I
Корректированный уровень звуковой мощности	дБ	66	70	76
Вес нетто	кг	14,3	20,8	27,4
Размеры	мм	415x750x315	630x920x456	615x1050x490

Более подробное описание технических параметров и характеристик смотрите на сайте [www.hyundai-hvac.com](http://www.hyundai-hvac.com) или спрашивайте у официальных дилеров Hyundai.

**ВНИМАНИЕ!**

Производитель оставляет за собой право для разных партий поставок без предварительного уведомления изменять комплектующие части изделия (включая заливаемые \ засыпаемые составляющие), не влияя при этом на основные технические параметры изделия или улучшая их, а также не нарушая изменениями принятые на территории страны производства \ транзита \ реализации стандарты качества и нормы законодательства.

Это может повлечь за собой изменение веса и габаритов изделия, но не более чем на +/- 5-20% (могут отличаться для разного вида изделий).

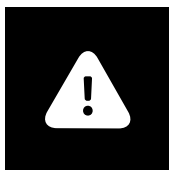


## 2. ПРАВИЛА БЕЗОПАСНОЙ ЭКСПЛУАТАЦИИ И УСТАНОВКИ ГЕНЕРАТОРА ГОРЯЧЕГО ВОЗДУХА ДИЗЕЛЬНОГО (ВОЗДУХОНАГРЕВАТЕЛЯ)

При эксплуатации прибора соблюдайте правила безопасности. Неправильная эксплуатация в силу игнорирования данных правил может привести к причинению вреда здоровью пользователя и других людей, а также нанесения ущерба их имуществу. Производитель не несёт ответственности за причинённый вред здоровью и повреждение имущества в результате неправильной установки и эксплуатации прибора.

### ОБЩИЕ ПРАВИЛА БЕЗОПАСНОСТИ

1. Прочитайте все инструкции перед использованием прибора.
2. Генератор горячего воздуха дизельный (воздухонагреватель) при работе нагревается до очень высокой температуры. Чтобы избежать ожогов, не прикасайтесь руками и другими частями тела к горячим поверхностям прибора.
3. Прибор должен располагаться вдали от легковоспламеняющихся и легкодеформируемых объектов.
4. Удостоверьтесь, что корпус прибора и его нагревательная поверхность остыли, прежде чем прибор будет демонтирован и уложен в упаковку для длительного хранения.
5. Когда прибор не используется долгое время, храните его в сухом прохладном месте в заводской картонной упаковке.
6. **ВНИМАНИЕ! НЕ НАКРЫВАЙТЕ ПРИБОР**, когда он работает. Не сушите на нём одежду и любые другие ткани и материалы. Это может привести к его перегреву, возгоранию, выходу из строя или причинению значительного ущерба Вам и/или Вашему имуществу.



### ВНИМАНИЕ!

Производитель рассматривает данный вид поломки, как не гарантийный случай.

7. **ВНИМАНИЕ!** Ткани, одежда и другие легковоспламеняющиеся материалы могут загореться, если находятся напротив лицевой панели работающего прибора.
8. Прибор всегда должен находиться под наблюдением, особенно если неподалеку от прибора находятся дети. Внимательно следите за тем, чтобы дети не прикасались к прибору руками.
9. Не используйте прибор для обогрева помещений, в котором находятся люди.
10. Не используйте прибор в плохо проветриваемых помещениях.
11. Выход и вход воздушного потока не должен быть затруднен.
12. Вентиляция воздуха должна быть достаточной для корректной работы прибора и горения пламени.
13. Отсутствие надлежащей вентиляции воздуха может привести к неправильному горению пламени. Неправильное горение пламени может привести к отравлению угарным газом. Симптом отравления угарным газом, могут включать в себя головные боли, головокружение, затруднение дыхания.
14. Никогда не используйте прибор в ситуации, когда он может соприкасаться с водой.
15. Когда прибор включен и работает, не прикасайтесь к поверхностям и блоку управления мокрыми или влажными руками и любыми другими частями тела.
16. Запрещено устанавливать и использовать прибор в ванных комнатах, душевых или

бассейнах, а также в тех местах, где есть вероятность попадания струй и капель воды на его поверхность во время, когда прибор включен.

17. Никогда не пытайтесь ремонтировать прибор самостоятельно. Это может нанести вред вашему здоровью и повлиять на гарантийное обслуживание прибора.

18. Не просовывайте пальцы и исключите попадание посторонних предметов в какие-либо вентиляционные, воздухозаборные или выходные отверстия, так как это может привести к ожогу, другим травмам или повреждению обогревателя.

19. Для предотвращения возможного пожара не загоразивайте ничем воздухозаборные и выходные отверстия. Не вешайте и не сушите вещи на обогревателе! Используйте обогреватель только на ровной сухой поверхности.

20. Обогреватель работает с открытым пламенем, а также содержит внутри горячие и искрящие компоненты. Не используйте обогреватель в местах использования или хранения бензина, краски или других легковоспламеняющихся жидкостей.

21. Используйте данный обогреватель только так, как описано в данном руководстве.

Любое другое использование, не рекомендуемое изготовителем, может привести к пожару, поражению электрическим током или травмированию людей.

22. При использовании прибора не предпринимайте никаких действий, которые могли бы вызвать воспламенение топлива.

23. При использовании прибора вне помещения он должен быть защищён от ветра и попадания на него атмосферных осадков.

24. Во избежание перегрева и риска возникновения пожара, а также повреждения внутренней электрической сети, не изменяйте длину сетевого шнура и не подключайте прибор через электрические удлинители. Однако при необходимости можно использовать удлинитель, если его параметры соответствуют мощности прибора и если он не используется другими потребителями электроэнергии.

25. Для нормальной работы прибора уровень напряжения электросети должен быть достаточен, а ее технические параметры должны быть в строгом соответствии с техническими параметрами, указанными на корпусе прибора. При необходимости выясните характеристики своей сети у поставщика электроэнергии.

26. Не используйте для розжига пламени прибора спички и зажигалки или любые другие источники открытого пламени.

27. Помещение, в котором используется дизельный теплогенератор, должно быть оснащено огнетушителем.

28. Ни в коем случае не выполняйте очистку обогревателя, когда он работает. Не погружайте обогреватель в воду.

29. Запрещено устанавливать прибор непосредственно под электрической розеткой или под проведенным электрическим кабелем, когда выходящие тепловые потоки попадают на них. Это может привести к их перегреву, что создаст аварийную ситуацию.

30. Устанавливайте и эксплуатируйте прибор в строго вертикальном положении. Запрещено эксплуатировать прибор в горизонтальном или наклонном положениях.

31. Прибор не предназначен для использования лицами (включая детей) с ограниченными физическими, сенсорными или умственными возможностями, обладающими недостаточным опытом и знаниями, если они не находятся под наблюдением и не получили инструкций по использованию устройства от лица, ответственного за их безопасность. Необходимо следить, чтобы дети не играли с обогревателем.

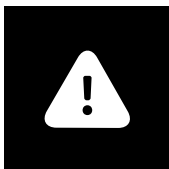


## ВНИМАНИЕ!

Использование бензина строго запрещено. Высокооктановое топливо может привести к взрыву или неконтролируемому горению пламени.

Никогда не используйте прибор рядом с источником горючих паров, т.к. это может вызвать опасность взрыва, возгорания и неконтролируемого горения пламени.

При использовании прибора всегда обеспечивайте достаточную вентиляцию воздуха. Используйте прибор только в хорошо проветриваемом помещении. Регулярно проветривайте помещение во время использования прибора (не менее двух раз в час). Недостаточное проветривание может вызвать нехватку кислорода, отравление угарным газом или смерть.



## ВНИМАНИЕ!

Не используйте газовые баллончики на месте, где используется прибор, газ из распылителя может вызвать опасность пожара и взрыва. А также причинить вред вашему здоровью.

Не используйте прибор в местах нахождения горючих веществ (макулатуры, древесной крошки и т.п.) это может привести к пожару.

Никогда не изменяйте или модифицируйте данный прибор. Любые изменения в конструкции могут привести к неисправности прибора, пожару или взрыву, это очень опасно.

Не подвергайте устройство воздействию атмосферных осадков (дождя или снега).

Никогда не используйте его в местах с высокой влажностью.

RU

RU

## Минимальные рекомендованные расстояния для размещения прибора

Во время работы прибора, убедитесь, что он находится на достаточном расстоянии от любых поверхностей или предметов, и они не перегреваются. В противном случае это может привести к пожару.

- Спереди от прибора не менее 3 метров
- Сзади от прибора не менее 2 метров
- Сверху от прибора не менее 2 метров
- По сторонам от прибора не менее 2 метров



## ПОМНИТЕ:

Несоблюдение мер предосторожности и данного руководства по эксплуатации, поставляемого в комплекте с теплогенератором, может вызвать тяжелые телесные повреждения, смерть или повреждения Вашего имущества от опасных факторов работы прибора, пожара, взрывов, ожогов, удушения продуктами сгорания или газом, а также поражения электрическим током.

Эксплуатировать данный прибор может человек, способный прочитать, понять и следовать всем указаниям, описанным в данном руководстве производителем.

### 3. УТИЛИЗАЦИЯ

По окончании срока службы генератора горячего воздуха дизельного (воздухонагревателя) следует утилизировать. Подробную информацию по утилизации Вы можете получить у представителя местного органа власти. Срок службы прибора указан в гарантийном талоне.

### 4. СБОРКА И УСТАНОВКА

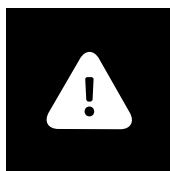
#### Подготовка к работе

1. Аккуратно извлеките прибор из заводской упаковки.
2. Убедитесь, что на приборе и его частях не осталось крошки упаковочного пенопласта или другого мусора.
3. Заправьте топливный бак дизельным топливом.
4. Подключите обогреватель к подходящей электрической розетки ~ 220В, 50Гц. Убедитесь в том, что электрическая розетка правильно заземлена.

#### Заправка топливного бака

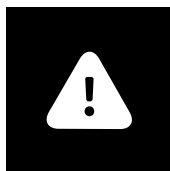
- Убедитесь, что прибор отключен от источника электропитания и выключатель питания находится в выключенном положении «0»
- Установите прибор на устойчивой и ровной поверхности, снимите крышку топливного бака с установленным на него топливным фильтром и залейте дизельное топливо.
- Не заливайте топлива больше, чем указанное положение уровня топлива.
- Проверьте, не осталось ли капель воды или топлива на топливном баке. При необходимости очистите их сухой, хорошо впитывающей тряпкой.
- После заполнения топливного бака плотно закрутите крышку по часовой стрелке.

RU



#### **ВНИМАНИЕ!**

Для воспламенения устройства никогда не используйте спички или зажигалки или другие источники открытого пламени.



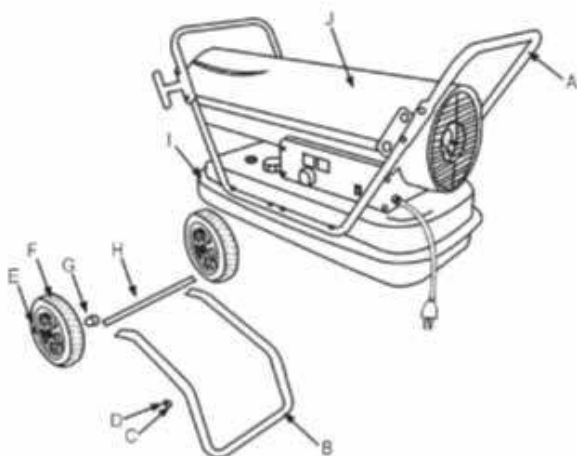
#### **ВНИМАНИЕ!**

Не курите во время заправки топливного бака!

Не производите заправку топливного бака устройства, если рядом есть открытый источник пламени.

#### Установка колес и трубчатого каркаса

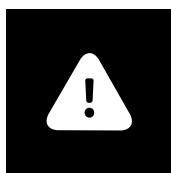
1. Вставьте колесную ось в соответствующее отверстие нижнего трубчатого каркаса, установите втулки «G» на обоих концах, наденьте колесо «F» на колесную ось «H». Установите колпак ступицы колеса «E».
2. Установите корпус обогревателя на нижний трубчатый каркас «B» убедитесь, что 4 отверстия верхнего каркаса направлены на соответствующие отверстия нижнего трубчатого каркаса.
3. Вставьте шурупы «J» в отверстия, установите плоские шайбы «D» под нижним каркасом «B» и затяните при помощи шестигранного ключа «C».
4. Вставьте остальные шурупы в соответствующие отверстия, используя отвертку, чтобы затянуть их таким же образом.



## 5. ЭКСПЛУАТАЦИЯ

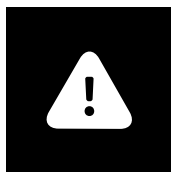
### Начало работы

1. Установите выключатель питания в положение «I» и убедитесь, что вентилятор работает правильно, загорается индикатор.
2. При включении происходит автоматический розжиг пламени, и прибор начинает работу.
3. Если горение пламени не началось, установите выключатель питания в положение «O» (выключено) и повторите шаг 2.
4. Отрегулируйте термостат в соответствии с требуемой тепловой мощностью, поверните ручку термостата против часовой стрелки, чтобы увеличить мощность или по часовой стрелки для ее уменьшения. На LED-дисплее будет отображаться устанавливаемая температура обогрева и текущая температура в помещении.



### ВНИМАНИЕ!

Если зажигание не происходит, перед повторной попыткой, убедитесь, что вентилятор прибора не заблокирован и свободному выходу воздуха ни что не мешает. После этого повторите попытку.



### ВНИМАНИЕ!

Если прибор не запускается после третьей попытки или при отсутствии пламени чувствуется специфический запах, немедленно выключите прибор и обратитесь в авторизованный сервисный центр Hyundai.

### Выключение

Чтобы выключить прибор вам необходимо установить выключатель питания в положении «O» (выключено). Необходимо оставить вентилятор прибора включенным, пока пламя в горелке не погаснет.

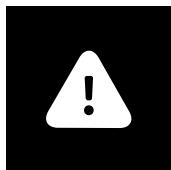
## Принцип работы

Под действием воздушного насоса воздух движется по воздухопроводу и проходит через форсунку горелки, заставляя топливо подниматься из бака по топливопроводу. Распыленное топливо впрыскивается в камеру сгорания. Электронный воспламенитель подает напряжение на свечу зажигания. Свеча поджигает топливно-воздушную смесь. Электродвигатель вращает вентилятор, под действием которого воздух движется внутрь камеры сгорания и вокруг нее. Нагреваясь, он образует поток чистого горячего воздуха на выходе.



Рис. 2

RU

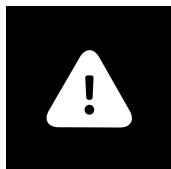


## ВНИМАНИЕ!

### Опасность удушья

При отсутствии надлежащей вентиляции воздуха, при использовании прибора в помещениях, может привести к неправильной работе прибора и сгорания топлива, повышая уровень содержания углекислого газа в помещении. Повышение уровня содержания углекислого газа может привести к отравлению угарным газом, потере сознания, серьезной травме или смерти. Симптомы отравления угарным газом, могут включать в себя головные боли, головокружение, затруднение дыхания.

## 6. ОБСЛУЖИВАНИЕ



## ВНИМАНИЕ!

См. «ПРАВИЛА БЕЗОПАСНОЙ ЭКСПЛУАТАЦИИ И УСТАНОВКИ ГЕНЕРАТОРА ГОРЯЧЕГО ВОЗДУХА ДИЗЕЛЬНОГО (ВОЗДУХОНАГРЕВАТЕЛЯ)»

1. Прибор необходимо регулярно мыть для удаления пыли и загрязнений с внешних поверхностей, т.к. это влияет на эффективность его работы и температурные параметры обогрева. Перед проведением профилактических работ выключите прибор, дайте ему остыть, затем протрите его поверхность мягкой слегка влажной тряпкой.
2. Для мытья не рекомендуется использовать моющие средства, в т.ч. средства с абразивными составами. Не допускайте повреждения прибора острыми предметами, т.к. царапины на окрашенной поверхности могут привести к появлению ржавчины.
3. Поверхность дизельного прибора так же необходимо периодически очищать от пыли и грязи. Процедуру профилактической очистки следует производить периодически для поддержания технического состояния обогревателя и сохранения его внешнего вида на долгие годы.



## ВНИМАНИЕ!

Перед чисткой прибора обязательно отключите его от электросети.

### Рекомендации по чистке

1. Топливный бак мыть каждые 150-200 часов работы или по мере необходимости.
2. Воздухозаборный фильтр промыть водой с мылом и высушивать каждые 500 часов работы или по мере необходимости.
3. Топливный фильтр необходимо чистить два раза в отопительный сезон или по мере необходимости.
4. Лопasti вентилятора необходимо чистить один раз в отопительный сезон или по мере необходимости.
5. Свечу зажигания необходимо прочищать и регулировать искровой зазор через каждые 600 часов эксплуатации прибора или заменять свечу по мере необходимости.

### Очистка фильтра

1. Откройте крышку на корпусе, отсоедините топливный шланг от фильтра.
2. Откройте крышку топливного бака и снимите трубку.
3. Чистый (при необходимости заменить) топливный фильтр необходимо собрать в обратном порядке и завернуть крышку на корпусе.

### Очистка топливного бака

Периодически проверяйте чистоту топливного бака. Со временем в нём может накапливаться отложения и конденсат.

1. Установите обогреватель на ровную поверхность.
2. Откройте дренажную гайку слива, слейте остатки топлива. Затяните гайку обратно.
3. Залейте в топливный бак ~2 литра чистого керосина, потрясите бак и слейте керосин через сливное отверстие.



## 7. ПОИСК И УСТРАНЕНИЕ НЕИСПРАВНОСТЕЙ

Таблица 2

Неисправность	Причина	Способ устранения
Задымление, посторонний запах при первом запуске	<ul style="list-style-type: none"><li>• Возможно скопление пыли внутри</li><li>• корпуса, остатки смазки.</li></ul>	<ul style="list-style-type: none"><li>• Через 5-10 минут все должно нормализоваться</li></ul>
Хлопки, неравномерное горение пламени	<ul style="list-style-type: none"><li>• Попадание воздуха в топливопровод</li><li>• Некачественное топливо</li></ul>	<ul style="list-style-type: none"><li>• После 5 минут работы хлопки прекратятся</li><li>• Залейте более качественное топливо</li></ul>
Посторонние звуки при горении или запуске	<ul style="list-style-type: none"><li>• Расширение металлических частей при нагревании</li></ul>	<ul style="list-style-type: none"><li>• После прогрева прибора все должно нормализоваться</li></ul>
Прибор не запускается	<ul style="list-style-type: none"><li>• Нет электропитания или низкое напряжение в электросети</li></ul>	<ul style="list-style-type: none"><li>• Подключите к сети электропитания</li><li>• ~220В/50Гц</li></ul>

Неисправность	Причина	Способ устранения
Появление признаков задымления во время работы	<ul style="list-style-type: none"> <li>Загрязнен топливный фильтр</li> <li>Попала вода в топливный бак</li> <li>Низкое качество топлива</li> </ul>	<ul style="list-style-type: none"> <li>Прочистите топливный фильтр</li> <li>Прочистите и высушите топливный бак</li> <li>Залейте более качественное топливо</li> </ul>

Если неисправность не удается устранить в соответствии с рекомендациями или при возникновении других неисправностей обратитесь в авторизованный сервисный центр Hyundai.

## 8. ТРАНСПОРТИРОВКА И ХРАНЕНИЕ

1. Прибор в упаковке изготовителя можно транспортировать на любое расстояние всеми видами закрытого транспорта при температуре от  $-50^{\circ}\text{C}$  до  $+50^{\circ}\text{C}$  и относительной влажности до 80% (при температуре воздуха  $+25^{\circ}\text{C}$ ) в соответствии с правилами перевозки грузов, действующих на данном виде транспорта.
2. При транспортировании должны быть исключены любые возможные удары и перемещения упаковки внутри транспортного средства.
3. Упакованный прибор должен храниться в крытых вентилируемых помещениях при температуре воздуха  $-30^{\circ}\text{C}$  до  $+50^{\circ}\text{C}$  при относительной влажности до 80% (при температуре воздуха  $+25^{\circ}\text{C}$ ). В помещении не должно быть агрессивных примесей, вызывающих коррозию.
4. При транспортировке и хранении должны строго соблюдаться требования манипуляционных знаков на упаковке прибора.

Мы изучаем новые технологии и постоянно улучшаем качество нашей продукции. Технические характеристики, конструкция и комплектация могут быть изменены без предварительного уведомления.

## 9. СЕРТИФИКАЦИЯ

При отсутствии копии нового сертификата в коробке, спрашивайте копию у продавца.

Серийный номер изделия, месяц и год изготовления указаны в составе UNIT CODE кода изделия, наклеенного на изделие и/или упаковку изделия. Месяц и последние цифры года внутри кода расположены после знака @N и знака тире в указанном порядке.

## УВАЖАЕМЫЙ ПОКУПАТЕЛЬ!

Мы всегда рады предложить Вашему вниманию удобные пользовательские сервисы и продукты, нацеленные на то, чтобы сделать использование и обслуживание техники Hyundai еще более комфортным и удобным. Именно поэтому мы рекомендуем Вам воспользоваться услугами специализированного портала [www.btpart.ru](http://www.btpart.ru), с помощью которого Вы можете заказать и оформить доставку всех необходимых расходных материалов и запчастей в течение гарантированного срока.

Всю дополнительную информацию о работе портала Вы можете найти на сайте [www.hyundai-hvac.com](http://www.hyundai-hvac.com).



Генератор горячего воздуха дизельный  
(воздухонагреватель)

HYUNDAI

| 25.



# HYUNDAI



Гарантийный талон

Территория действия:  
Российская Федерация

Уважаемый покупатель! Обратите особое внимание на стр. 38

Действителен с Января 2014 года



## Гарантийные обязательства

### Бытовое изделие Hyundai

Гарантийное обслуживание и ремонт бытовой техники Hyundai с соблюдением требований и норм Изготовителя (Hyundai) производятся на территории РФ только в фирменных сервисных центрах Изготовителя или мастерских, уполномоченных производителем и работающих с ним на основании договора. Срок проведения экспертизы и гарантийного ремонта - не более 45 дней с момента приемки дефектного изделия авторизованным сервисным центром Hyundai.

Если при эксплуатации изделия Вы столкнулись с неполадками в его работе, которые Вы не можете устранить самостоятельно в строгом соответствии с Руководством по эксплуатации изделия, обратитесь к региональному представителю Изготовителя в России или в региональный авторизованный сервисный центр Hyundai, уточнив адрес у продавца. Полный перечень сервисных центров указан на сайте [www.hc-hvac.ru](http://www.hc-hvac.ru) или приложен отдельным списком в комплекте с изделием.

Вы можете обратиться в уполномоченную сервисную службу Изготовителя по телефону **+7 (495) 627-5285**, либо по телефонам, указанным на сайте [www.hc-hvac.ru](http://www.hc-hvac.ru), или отправить сообщение по электронному адресу [service@hc-hvac.ru](mailto:service@hc-hvac.ru)

Гарантируется безотказная работа изделия в соответствии со сроками, указанными в гарантийном талоне. Обязательно ознакомьтесь с условиями гарантийных обязательств и приобретите от продавца правильный и четкого заполнения гарантийного талона.



## ВНИМАНИЕ!

Сервисная сеть Hyundai рассматривает гарантийные требования при наличии правильно заполненного оригинального гарантийного талона установленного Изготовителем образца, товарного (кассового) чека или другого документа, подтверждающего дату и факт продажи на территории РФ.

Если отсутствие надлежащим образом заполненного гарантийного талона на изделие или отсутствие чека с указанием изделия не позволяет идентифицировать изделие и факт его продажи на территории РФ, то Изготовитель вправе отказать в гарантийном обслуживании изделия.

При невозможности определить дату продажи изделия, гарантийный срок исчисляется с даты его производства.

Дата производства изделия определяется по реестру Изготовителя в соответствии с серийным номером изделия.

**На каждое изделие выписывается отдельный гарантийный талон.**

### Дорогой покупатель техники Hyundai,

мы выражаем Вам огромную признательность за Ваш выбор. Hyundai сделал все возможное, чтобы данное изделие удовлетворяло Вашим запросам, приносило радость и уют в Ваш дом, а качество соответствовало лучшим мировым образцам для данного класса изделия. Официальные сроки службы на изделия Hyundai разных видов, предназначенных для использования в быту, установлены изготовителем:

- для электрических конвекторов - до 20 лет;
- для кондиционеров воздуха, осушителей - 10 лет;
- электрических тепловых пушек и завес - 7 лет;
- инфракрасных обогревателей - 8 лет;

- электрических водонагревателей проточного типа - 3 года;
- электрических водонагревателей накопительного типа - 10 лет;
- остальных изделий - от 3 до 5 лет.

Указанные сроки службы действительны только при условии соблюдения правил эксплуатации и правильного ухода за изделиями. Полную информацию об официальных сроках службы для выбранной Вами модели Вы сможете найти на сайте [www.hc-hvac.ru](http://www.hc-hvac.ru). Учитывая высокое качество, надежность и степень безопасности продукции Hyundai, фактический срок эксплуатации может значительно превышать официальный.

## Заполнение гарантийного талона

Во избежание недоразумений убедительно просим Вас внимательно изучить Руководство по эксплуатации изделия и условия гарантийных обязательств, проверить правильность заполнения гарантийного талона. Согласно требованиям Изготовителя, гарантийный талон действителен только при наличии четко и правильно указанных данных: модели, серийного номера изделия, даты покупки, данных фирмы-продавца, подписи покупателя. Соответствующие данные также должны быть указаны продавцом на отрывных талонах. В отдельных случаях в гарантийном талоне обязательным является указание даты запуска изделия в эксплуатацию и штамп уполномоченной организации, производшей запуск в эксплуатацию (для изделий, требующих монтажа или предпусковой подготовки сертифицированным специалистом в соответствии с Руководством по эксплуатации). При проведении планового профилактического обслуживания изделия (там где это необходимо согласно руководству по эксплуатации) специалист сервисного центра обязан заполнить соответствующую часть гарантийного талона, поставить подпись и печать сервисного центра. Модель и серийный номер изделия (на маркировочной (идентификационной) наклейке Изготовителя на изделии (ID) должны соответствовать указанным в гарантийном талоне продавцом. При нарушении этих условий, а также в случае, когда данные, указанные в гарантийном талоне, изменены или стерты, талон может быть признан недействительным.



### **ВНИМАНИЕ!**

Производитель рекомендует приобретать приборы Hyundai только у авторизованных продавцов (см. условия на стр. 30-32).

## Общие гарантийные условия

Данным гарантийным талоном Изготовитель подтверждает принятие на себя обязательств по удовлетворению законных требований потребителей в случае обнаружения недостатков изделия, возникших по вине Изготовителя в течение установленного гарантийного срока. Сроки действия гарантии на отдельные типы изделий указаны на стр. 30. Гарантийные обязательства дополняют и уточняют оговоренные законом обязательства, предполагающие соглашение сторон либо договор; выдаются Изготовителем в дополнение к законным правам потребителей и ни в коей мере их не ограничивают. Гарантия Изготовителя действительна только на территории РФ на изделия, купленные на территории РФ и изготовленные для РФ. Наличие надлежащим образом заполненного гарантийного талона и чека необходимо в целях возможности идентификации таковых изделий и факта их законной продажи на территории РФ.

## Изготовитель оставляет за собой право:

- отказать в гарантийном сервисном обслуживании изделия в случае несоблюдения изложенных ниже условий (см. «Досрочное прекращение гарантийного обслуживания»);
- самостоятельно инициировать независимую экспертизу для выяснения обстоятельств, приведших к выходу прибора из строя;
- сравнивать предоставленную маркировочную (идентификационную) наклейку изделия (ID) с данными реестров производства для проверки соответствия серийного номера изделия уникальным производственным номерам реестров.
- предоставлять дополнительную гарантию; информация об условиях дополнительной гарантии содержится на сайте [www.hc-hvac.ru](http://www.hc-hvac.ru).



Просим Вас хранить Гарантийный талон в течение всего гарантийного срока, установленного Изготовителем на приобретенное Вами изделие.

При покупке изделия требуйте от продавца проверку его комплектности и отсутствия механических повреждений в Вашем присутствии, а также правильного и четкого заполнения данного гарантийного талона. Претензии по некомплектности и выявленным механическим повреждениям после продажи не принимаются. Для гарантийного ремонта предъявляйте Гарантийный талон вместе с чеком покупки с указанной датой покупки.



## Общие правила установки, подключения и запуска в эксплуатацию изделий, для которых требуется выполнение этих работ специализированными организациями.

Установка, подключение и запуск в эксплуатацию изделий торговой марки Hyundai допускается исключительно специалистами и организациями, имеющими лицензии или соответствующие разрешения (допуски) на данный вид деятельности, либо специалистами и организациями, авторизованными для монтажа и/или обслуживания данного вида техники. О необходимости проведения тех или иных монтажных и/или сервисных работ специализированными организациями Вы можете узнать, внимательно ознакомившись с Руководством по эксплуатации на приобретенное Вами изделие.

Для монтажа приобретенного оборудования Вы можете воспользоваться платной услугой специалистов авторизованных сервисных центров Hyundai, которые проведут все необходимые работы для длительного и безопасного использования приобретенного Вами изделия. Вы можете также воспользоваться услугами любых других квалифицированных специалистов, однако, в этом случае, если изделие вышло из строя вследствие неправильной установки и подключения, Вы теряете право на бесплатное гарантийное обслуживание.

## Досрочное прекращение гарантийного обслуживания.

Все условия гарантийного обслуживания регулируются Законодательством РФ и Законом РФ «О защите прав потребителей». В частности, отказ в бесплатном гарантийном обслуживании изделия может быть вызван:

- нарушением при оформлении гарантийного талона при продаже изделия;

- отсутствием товарного или кассового чека о продаже изделия или невозможностью определить продавца изделия;
- наличием следов механических повреждений, возникших после передачи изделия потребителю и явившихся возможной причиной возникновения дефекта;
- наличием повреждений, вызванных несоответствием стандартам параметров питающих сетей и других подобных внешних факторов, а также вызванных использованием нестандартных, неоригинальных (или некачественных) аксессуаров, принадлежностей, запасных частей, элементов и т.д.;
- нарушением правил Руководства по эксплуатации данного изделия;
- наличием следов несанкционированного вскрытия и/или ремонта изделия (за исключением случаев, предусмотренных Руководством по эксплуатации), повлекших за собой отказ в работе изделия;
- дефектом или отказом системы или ее части, где изделие использовалось как часть системы и это могло привести к дефекту или отказу изделия.



## ВНИМАНИЕ!

Если в результате экспертизы/диагностики изделия установлено, что его недостатки возникли вследствие обстоятельств, за которые не отвечает продавец (изготовитель), либо недостатки в товаре отсутствуют, Потребитель обязан возместить продавцу (изготовителю или уполномоченной изготовителем организации) расходы на проведение экспертизы (диагностики, а также связанные с ее проведением расходы на хранение и транспортировку товара) в соответствии с Законом РФ «О защите прав потребителей» № 171-ФЗ в ред. от 21.12.2004 ст. 18 п.5.


 RU

**Гарантийные обязательства не распространяются на перечисленные ниже части и принадлежности изделия, если их замена не связана с разборкой самого изделия или их замена требуется при профилактическом обслуживании:**

- внешние блоки питания и зарядные устройства;
- соединительные герметизирующие прокладки, переходники и переключатели;
- монтажные приспособления, инструмент и документацию, прилагаемую к изделию.
- расходные части изделия, подразумевающие периодическую замену за счет потребителя (анодные стержни, герметизирующие прокладки, фильтрующие элементы и др.);
- части и узлы изделия, неисправность которых связана с естественным износом в процессе эксплуатации (фильтрующие элементы, приводные ремни, ролики, свечи зажигания, втулки, подшипники и т.д.);
- материалы, наклеенные на изделие, имеющие рекламное или информационное назначение, за исключением маркировочной (идентификационной) наклейки Изготовителя (ID).



## ВНИМАНИЕ!

Если маркировочная (идентификационная) наклейка на изделие Hyundai (ID) закреплена на изделии не плотно и существует риск ее утери, то вклейте ее в гарантийный талон на последней странице.

## Изготовитель не несет гарантийных обязательств за изделие в следующих случаях:

- если изделие использовалось в иных целях, не соответствующих его прямому назначению в соответствии с Руководством по эксплуатации;
- если на изделии отсутствует маркировочная (идентификационная) табличка Изготовителя (ID);
- если изделие имеет следы несанкционированного вскрытия, не предусмотренного Руководством по эксплуатации, и попыток неквалифицированного ремонта;
- если дефект вызван изменением/нарушением конструкции или схемы изделия, не предусмотренным Изготовителем;
- если обнаружены повреждения, вызванные попаданием внутрь изделия посторонних предметов, веществ, жидкостей, насекомых, скоплением большого количества пыли;
- если обнаружены повреждения, связанные с замерзанием внутри прибора жидкостей, отложением накипи на нагревательных элементах и внутренних поверхностях прибора, вызванных большим содержанием в воде солей железа, натрия, кальция, марганца и др.;
- если обнаружены повреждения, вызванные подключением к сетям (электрической, водопроводной) с недопустимыми параметрами;
- если дефект вызван действием непреодолимых сил, несчастными случаями, умышленными или неосторожными действиями потребителя или третьих лиц;
- если нарушены требования Изготовителя по проведению обязательных для сохранения гарантии и продления срока службы профилактических работ, описанных в Руководстве по эксплуатации;
- неправильного хранения (консервации / разборки-сборки на период хранения) изделия;
- если монтаж и использование изделия производится без разрешительной документации исполнительных органов власти субъектов РФ там, где подобная документация требуется в соответствии с требованиями законодательства РФ (в т.ч. Жилищного Кодекса РФ);
- в случае эксплуатации изделия с неправильно отрегулированными газовыми клапанами, газовыми или гидравлическими редукторами, прочими блоками и устройствами, требующими предварительной и/или периодической настройки и регулировки (если данные виды работ производились неуполномоченными на то организациями или лицами, либо были нарушены сроки проведения плановых регламентных/профилактических работ согласно Руководству по эксплуатации).

Изготовитель снимает с себя любую ответственность за возможный вред, прямо и или косвенно нанесенный продукцией Hyundai людям, домашним животным, и имуществу, в случаях, если это произошло в результате несоблюдения правил и условий эксплуатации или вследствие неквалифицированной установки (профилактики, обслуживания, ремонта) изделия, умышленных или неосторожных действий потребителя или третьих лиц.

## Особые условия гарантийного обслуживания для отдельных типов техники.

### Газовое оборудование

Гарантия Изготовителя имеет силу только в случае установки, подключения и пуска в эксплуатацию газового оборудования (газовые котлы, обогреватели и водонагреватели) авторизованной специализированной организацией с обязательным составлением Акта запуска в эксплуатацию и указанием в гарантийном талоне даты запуска и штампа организации, произведшей первый запуск. Исключение составляют изделия, для которых Руководством по эксплуатации предусмотрены самостоятельные установка, подключение и



запуск в эксплуатацию самим потребителем.

Организация, производящая запуск в эксплуатацию и/или последующее сервисное обслуживание газового оборудования, должна иметь лицензии и/или разрешения на соответствующий вид деятельности (вид работ), а специалисты этой организации должны иметь соответствующие удостоверения (допуски) на проведение газовых работ.



### **Помните!**

Изготовитель/импортер/продавец не несет ответственности в случае возникновения недостатков изделия из-за неправильных/некачественных монтажных, пусконаладочных, сервисных, профилактических работ неавторизованными организациями и специалистами.

## **Водонагревательное оборудование**

Гарантийные обязательства Изготовителя не распространяются на случаи:

- если обнаружены повреждения, связанные с замерзанием внутри прибора жидкостей, отложением накипи на нагревательных элементах и внутренних поверхностях прибора, вызванных большим содержанием в воде солей железа, натрия, кальция, марганца и др.;
- если обнаружены повреждения, вызванные подключением к сетям (электрической, водопроводной) с недопустимыми параметрами, даже в случае кратковременного и однократного превышения параметров, указанных на маркировочной табличке Изготовителя на приборе и в Руководстве по эксплуатации на изделие;
- если водонагреватель эксплуатировался без защитных устройств или совместно с устройствами, имеющими не соответствующие водонагревателю технические характеристики и/или не рекомендованными Изготовителем (см. на сайте [www.hc-hvac.ru](http://www.hc-hvac.ru) или в Руководстве по эксплуатации);
- если обнаружены повреждения внутренних эмалированных емкостей из-за коррозии вследствие несвоевременной замены анодного стержня;
- если прибор вышел из строя в случае неиспользования потребителем умягчителя воды в районах, где вода по жесткости отличается от нормативов, принятых Изготовителем (см. на сайте [www.hc-hvac.ru](http://www.hc-hvac.ru) или в Руководстве по эксплуатации).



Таблица 1

Рекомендуемые профилактические работы для увеличения срока гарантии на внутреннюю ёмкость водонагревателя и нагревательный(-е) элемент (-ы), а также для выполнения условия долговременной работы водонагревателя в рамках заявленного срока службы и более.

Наименование рекомендуемых профилактических работ	Периодичность выполнения рекомендуемых профилактических работ для увеличения гарантии на нагревательный (-е) элемент (-ы)	Периодичность выполнения рекомендуемых профилактических работ для увеличения гарантии на внутреннюю ёмкость
Первоначальная проверка наличия и интенсивности образования накипи на нагревательном (-ых) элементе (-ах), определение сроков последующей проверки и удаления накипи, а также при необходимости удаление накипи с нагревательного (-ых) элемента (-ов).	Через первые 0,5 года после начала эксплуатации	-
Удаление накипи с нагревательного (-ых) элемента (-ов).	Не реже 1 раза в год или чаще в зависимости от определения интенсивности образования накипи на нагревательном (-ых) элементе (-ах), при первоначальной проверке.	-
Первоначальная проверка интенсивности образования накипи и осадка во внутренней ёмкости, определение сроков последующей проверки и очистки водонагревателя, а также при необходимости очистка водонагревателя.	-	Через первые 0,5 года после начала эксплуатации
Очистка внутренней ёмкости водонагревателя.	Не реже 1 раза в год или чаще в зависимости от определения интенсивности образования накипи и осадка во внутренней ёмкости, при первоначальной проверке.	Не реже 1 раза в год или чаще в зависимости от определения интенсивности образования накипи и осадка во внутренней ёмкости, при первоначальной проверке.



Первоначальная проверка состояния магниевого анода, интенсивности его разложения, определения сроков последующей проверки и замены магниевого анода, а также при необходимости его замены.	Через первые 0,5 года после начала эксплуатации	Через первые 0,5 года после начала эксплуатации
Замена магниевого анода.	Не реже 1 раза в год или чаще в зависимости от определения интенсивности разложения магниевого анода, при первоначальной проверке.	Не реже 1 раза в год или чаще в зависимости от определения интенсивности разложения магниевого анода, при первоначальной проверке.



### ПРИМЕЧАНИЕ:

Периодичность профилактического обслуживания, а также сроки замены анодного стержня для водонагревателей устанавливается мастером авторизованного сервисного центра при первом плановом обслуживании и определяется исходя из условий эксплуатации водонагревателя, жесткости и степени загрязненности воды. При проведении работ специалистом сервисного центра должна быть произведена соответствующая отметка в гарантийном талоне. При самостоятельном проведении замены анодного стержня владелец должен сохранять чеки на покупку анодного стержня.



## Кондиционеры, устройства с компрессором

Гарантийные обязательства Изготовителя не распространяются на случаи:

- если покупатель самостоятельно без учета рекомендаций Изготовителя и продавца купил кондиционер надлежащего качества и установил в помещении, для которого изделие не подходит по своим техническим характеристикам;
- некачественного монтажа неавторизованной организацией/частными лицами, если не была правильно проведена вакуумизация трубопроводов, была проведена заправка недостаточного количества хладагента или допущены другие ошибки при монтаже (перегиб трубопроводов,
- негоризонтальное расположение блоков, нарушение допустимых перепадов высот установки между блоками и т.д.);
- эксплуатации изделия в недопустимых условиях и с нарушением режимов работы, прописанных в Руководстве по эксплуатации (например, использование режима обогрева сплит-системой при наружной температуре ниже -5°C без специального предохранительного от низкой температуры комплекта);
- если неисправность была вызвана нарушением сроков периодического обслуживания изделия;
- если неисправность была вызвана сильными загрязнениями фильтров и/или испарителя/конденсатора пылью, листвой, насекомыми и другими предметами.

Таблица 1

Рекомендуемые профилактические работы для увеличения срока гарантии на компрессор кондиционера, а также для выполнения условия долговременной работы кондиционера, в рамках заявленного срока службы и более.

Наименование рекомендуемых профилактических работ	Для бытовых помещений		Для офисных помещений		Для торговых помещений	
	Рекомендуемый интервал	Рекомендуемые сроки	Рекомендуемый интервал	Рекомендуемые сроки	Рекомендуемый интервал	Рекомендуемые сроки
Чистка теплообменников внешнего и внутреннего блоков						
Мойка ванны для сбора конденсата						
Продувка трубопровода конденсата	Не реже 1-го раза в год	Июль	Не реже 2-х раз в год	Май, август	Не реже 3-х раз в год	Май, июль, сентябрь
Общая проверка системы						
Дозаправка (при необходимости)						

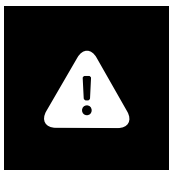


## Электрические обогреватели

- Гарантийные обязательства Изготовителя не распространяются на случаи:
- если обогреватель эксплуатировался в положении, отличном от указанного в Руководстве по эксплуатации на данный прибор;
- если неисправность изделия возникла в результате попадания внутрь изделия посторонних предметов, веществ, жидкостей, насекомых, скоплением большого количества пыли;
- если в процессе эксплуатации был затруднен проход воздуха через вентиляционные отверстия и решетки (например, прибор накрывался какими-либо предметами, шторами, производилась сушка одежды без использования специальных, предусмотренных Изготовителем в Руководстве по эксплуатации устройств, большое скопление пыли снаружи и внутри прибора и т.д.)

**ВНИМАНИЕ!**

Если вы устанавливаете электрический конвектор без защиты от опрокидывания на ножки, то гарантия на прибор считается аннулированной, и потребитель осуществляет ремонт прибора полностью за свой счет. Электрические конвекторы с защитой от опрокидывания имеют специальную информацию на упаковочной коробке, также эта информация содержится в инструкции по эксплуатации прибора.

**ВНИМАНИЕ!**

Пожалуйста, потребуйте от продавца полностью, четко и правильно заполнить бланк Гарантийного талона.

### Стандартные гарантийные сроки для изделий, произведенных начиная с 01.01.2014 и имеющих ID установленной формы (см. рис. 1):

- электрические кондиционеры воздуха, осушители воздуха, электрические маслонаполненные радиаторы, тепловые пушки, завесы - 2 года;
- электрические конвекторы, конвекционные радиаторы, панели, прочие электрические и газовые приборы (в т.ч. водонагреватели) - 1 год.

В части гарантии действуют дополнительные нормы, увеличивающие срок гарантии для различных компонентов ряда изделий:

### Накопительные водонагреватели:

- Гарантия на течь емкости баков объемом более 30 литров включительно - 2 года (5 лет\*);
- гарантия на течь емкости баков объемом менее 30 литров - 2 года (3 года\*);
- гарантия на нагревательные элементы - 3 года\*

### Электрические конвекторы:

- нагревательный элемент серии - 3 года\*

### Кондиционеры воздуха:

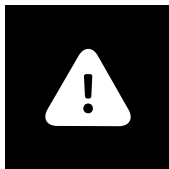
- компрессор сплит-систем - 3 года\*

\* - **увеличенная гарантия** на отдельные компоненты и узлы изделий действует только при условии регулярного проведения периодического обслуживания изделия специалистами авторизованного сервисного центра. После каждого обслуживания в гарантийном талоне должны проставляться печати сервисного центра, подтверждающие факт прохождения

обслуживания. Если пользователь пропускает хотя бы одно обслуживание, то увеличенная гарантия на указанный компонент перестает действовать, и гарантия остается стандартной, как на весь прибор в целом. Перечень профилактических работ, а также примерные сроки прохождения периодического обслуживания, указаны в таблицах 1 и 2.



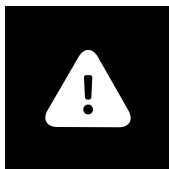
Рис. 1



## ВНИМАНИЕ!

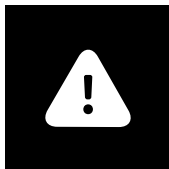
Техническое (профилактическое) обслуживание изделия (в т.ч. замена магниевых анодов водонагревателя) не входит в гарантийные обязательства изготовителя и продавца и является дополнительной платной услугой.

Для ряда территорий могут действовать исключительные правила гарантии, увеличивающие срок на изделие или компоненты. Такие правила устанавливаются только по распоряжению Производителя официальным письмом Производителя.



## ВНИМАНИЕ!

Если изделие использовалось в соответствии с его целями применения, установленными Руководством по эксплуатации, в рамках осуществления предпринимательской деятельности, то гарантийный срок изделия составляет 3 (три) месяца с момента продажи изделия или 5 (пять) месяцев с момента производства изделия, если дата продажи не установлена\*. Срок проведения экспертизы и гарантийного ремонта - не более 45 дней с момента приемки дефектного изделия авторизованным сервисным центром Hyundai.



## ВНИМАНИЕ!

Большинство приборов торговой марки Hyundai требуют профессиональных консультаций со специалистами соответствующей квалификации в процессе подбора, а также при вводе их в эксплуатацию. Производитель рекомендует приобретать приборы Hyundai только у авторизованных им продавцов. В предоставлении дополнительной гарантии может быть отказано, если прибор Hyundai был приобретен у продавцов, указанных соответствующем разделе на сайте [www.hs-hvac.ru](http://www.hs-hvac.ru), не исполняющих полностью или частично требований производителя к правилам обслуживания покупателей, а также требований производителя к предоставлению стандартных условий приобретения приборов Hyundai.

\* Кроме кондиционеров воздуха, смотри стр. 28

Покупатель информирован о том, что он не вправе требовать возврата или обмена купленного изделия в порядке статьи 25 Закона «О защите прав потребителей» и статьи 502 Гражданского Кодекса РФ в соответствии с п.11 «Перечня непродовольственных товаров надлежащего качества, не подлежащих возврату или обмену на аналогичный товар другого размера, формы, габарита, фасона, расцветки или комплектации» Постановления Правительства РФ от 19.01.1998 г. №55.

Подписывая данный гарантийный талон, Покупатель признает, что он:

1. Проверил заполнение информации на стр. 33
2. Получил Руководство по эксплуатации на изделие на русском языке.
3. Владеет всей необходимой информацией о приобретенном изделии и его потребительских свойствах, характеристиках в соответствии со статьей 10 Закона РФ «О защите прав потребителей».
4. Ознакомлен и полностью согласен с условиями и ограничениями гарантийного обслуживания, а также с условиями установки / подключения / сервисного обслуживания / эксплуатации приобретенного изделия.
5. Не имеет претензий к внешнему виду / комплектности / работоспособности (если прибор проверялся в его присутствии при продаже) приобретенного изделия.

RU

Подпись покупателя (с расшифровкой)

\_\_\_\_\_ / \_\_\_\_\_

Дата

\_\_\_\_\_

## Гарантийный талон



### **ВНИМАНИЕ!**

Пожалуйста, потребуйте от продавца полностью заполнить гарантийный талон и отрывные талоны.

Заполняется фирмой-продавцом

Изделие	.....
Модель	.....
Серийный номер	.....
Дата продажи	.....
Фирма-продавец	.....
Адрес фирмы-продавца	.....
Телефон фирмы-продавца	.....



**Без подписи покупателя на странице 38 Гарантийный талон является недействительным.**

Заполняется установщиком

### **Сведения об установке изделия**

Фирма-установщик	.....
Номер сертификата	.....
Дата установки	.....
Мастер	.....

**HYUNDAI**

Печать  
фирмы  
-продавца

Заполняется сервисным центром

## «А»

Дата приема

Дата выдачи

Особые отметки

Печать  
сервисного  
центра

## «Б»

Дата приема

Дата выдачи

Особые отметки

Печать  
сервисного  
центра



## «В»

Дата приема

Дата выдачи

Особые отметки

Печать  
сервисного  
центра

## «Г»

Дата приема

Дата выдачи

Особые отметки

Печать  
сервисного  
центра



Дата приема	.....	
Дата выдачи	.....	
Особые отметки	.....	
Номер заказа-наряда	.....	
Проявление дефекта	.....	
Мастер	.....	Печать сервисного центра
Код неисправности	.....	
Заполняется сервисным центром		

Дата приема	.....	
Дата выдачи	.....	
Особые отметки	.....	
Номер заказа-наряда	.....	
Проявление дефекта	.....	
Мастер	.....	Печать сервисного центра
Код неисправности	.....	
Заполняется сервисным центром		



Дата приема	.....	
Дата выдачи	.....	
Особые отметки	.....	
Номер заказа-наряда	.....	
Проявление дефекта	.....	
Мастер	.....	Печать сервисного центра
Код неисправности	.....	
Заполняется сервисным центром		

Дата приема	.....	
Дата выдачи	.....	
Особые отметки	.....	
Номер заказа-наряда	.....	
Проявление дефекта	.....	
Мастер	.....	Печать сервисного центра
Код неисправности	.....	
Заполняется сервисным центром		

**Отрывной талон «А»**

Изделие	.....	<b>HYUNDAI</b>
Модель	.....	
Серийный номер	.....	
Дата продажи	.....	
Фирма-продавец	.....	Печать сервисного центра
Заполняется фирмой-продавцом		

**Отрывной талон «Б»**

Дата приема	.....	<b>HYUNDAI</b>
Дата выдачи	.....	
Особые отметки	.....	
Номер заказа-наряда	.....	
Проявление дефекта	.....	
Мастер	.....	Печать сервисного центра
Код неисправности	.....	
Заполняется фирмой-продавцом		

RU

**Отрывной талон «В»**

Дата приема	.....	<b>HYUNDAI</b>
Дата выдачи	.....	
Особые отметки	.....	
Номер заказа-наряда	.....	
Проявление дефекта	.....	
Мастер	.....	Печать сервисного центра
Код неисправности	.....	
Заполняется фирмой-продавцом		

**Отрывной талон «Г»**

Дата приема	.....	<b>HYUNDAI</b>
Дата выдачи	.....	
Особые отметки	.....	
Номер заказа-наряда	.....	
Проявление дефекта	.....	
Мастер	.....	Печать сервисного центра
Код неисправности	.....	
Заполняется фирмой-продавцом		

### Профилактическое обслуживание изделия.

(Заполняется специалистом авторизованного сервисного центра Hyundai)

№№	Дата выполнения работ	Перечень выполненных работ	Наименование СЦ	Ф.И.О. исполнителя, подпись, печать



**Профилактическое обслуживание изделия.**

(Заполняется специалистом авторизованного сервисного центра Hyundai)

№№	Дата выполнения работ	Перечень выполненных работ	Наименование СЦ	Ф.И.О. исполнителя, подпись, печать



Страна	Наименование сервисного центра	Код города	Телефон	Фактический адрес, электронный адрес	Примечание
Россия	ООО «Авангард Холго»	(495)	710-71-72, 627-52-85	г. Москва, Ленинградское ш., д. 57, корп.12, 2 этаж  service@hc-hvac.ru	Единая сервисно-информационная служба на территории России.
Казахстан				kz.service@hyundai-hvac.com	
Белорусия				by.service@hyundai-hvac.com	



## Вниманию покупателей!



Список сервисных центров Hyundai может быть дополнен или изменен без специального предварительного уведомления. Информация регулярно обновляется на сайте [www.hc-hvac.ru](http://www.hc-hvac.ru), в разделе «Сервис».

Также вы всегда можете задать свои вопросы, касающиеся сервисного обслуживания техники Hyundai, позвонив по телефону +7 (495) 627-5285.

Если у вас возникли претензии к работе сервисного центра Hyundai в вашем городе, просьба информировать об этом Генерального сервисного партнера Hyundai по телефону +7 (495) 627-5285 или электронной почте [service@hc-hvac.ru](mailto:service@hc-hvac.ru) своевременно. Также мы будем благодарны, если вы сообщите нам о некорректных данных (адрес, контактный телефон, название и т.п.) сервисного центра Hyundai в вашем городе, указанного в этой специальной информационной вкладке.

Ваши пожелания помогут нам организовать сервисную поддержку техники Hyundai на более высоком уровне.

Спасибо за сотрудничество!



**KO** 제품 품질 보증 쿠폰은 해당 지역 디스트리뷰터에 요청하시기 바랍니다.



**EN** Ask distributor of your region for Warranty Coupon of a product.



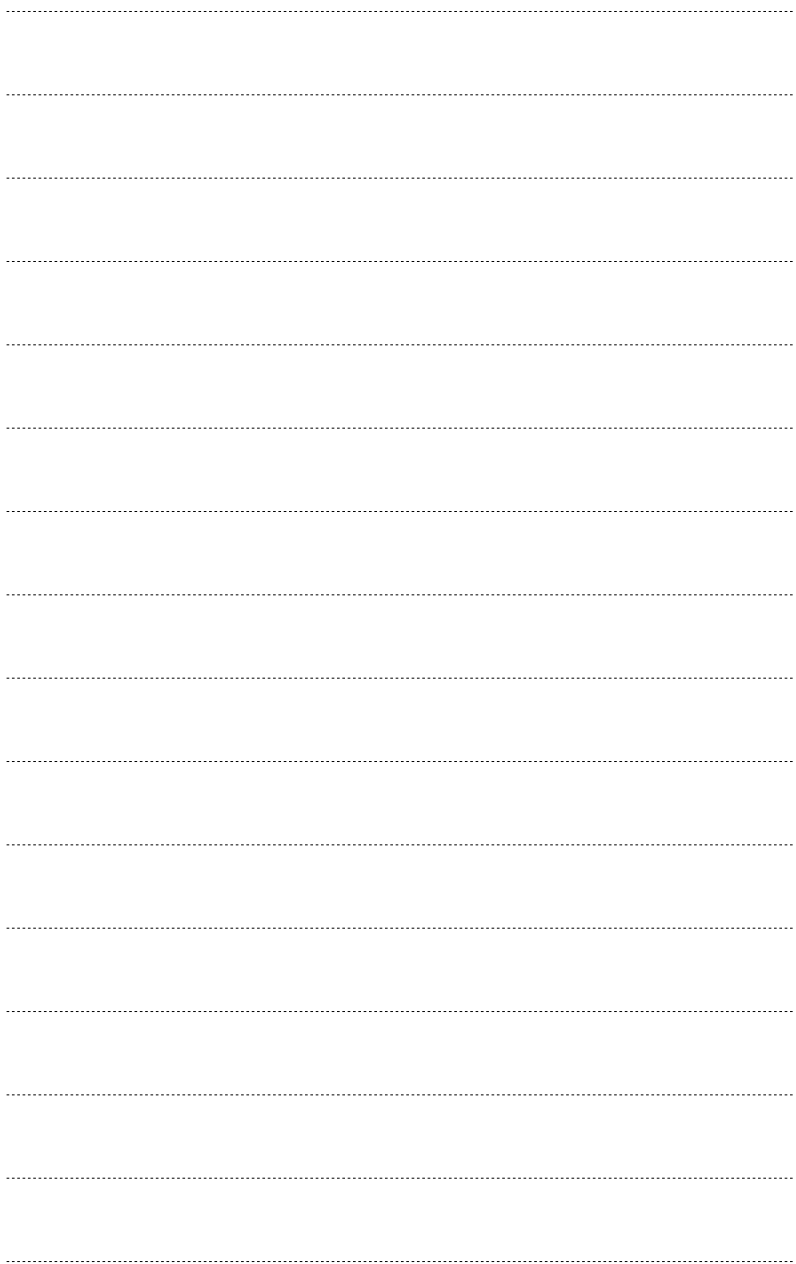
**ES** Pida la garantía al distribuidor en su país.



**KZ** Бұйымның кепілдік талонын сатылған ел аумағындағы дистрибьютордан сұрастырыңыз.



**BY** Гарантыйны талон на выраб запытваць у дыстрыбутара на тэрыторыі краіны продажу.



# HYUNDAI

Licensed by Hyundai Corporation, Korea

[www.hyundai-hvac.com](http://www.hyundai-hvac.com)



**EAC CE**