



USER MANUAL

Руководство по эксплуатации

ROTARY HAMMER

ПЕРФОРАТОР ЭЛЕКТРИЧЕСКИЙ

RHH-600-22

26602

EN

RU



 **ATTENTION**
ВНИМАНИЕ

Read this manual before use and retain for future reference.
Прочитайте данное руководство перед эксплуатацией
устройства и сохраните его для дальнейшего использования.

The date of manufacture
is indicated on the product.
Дата изготовления указана
на изделии.

CONTENT

SAFETY WARNINGS	3
PROPER USAGE AND GENERAL INFORMATION	3
COMPLETENESS OF SET	4
HANDLING INSTRUCTIONS	4
SPECIFICATIONS	5
GENERAL SAFETY INSTRUCTIONS FOR ELECTRIC TOOLS.....	5
OPERATION.....	8
NOISE AND VIBRATION	10
MAINTENANCE.....	11
POSSIBLE FAULTS	11
STORAGE	12
TRANSPORTATION	12
RECYCLING	12
LIFE TIME	12
WARRANTY OBLIGATIONS.....	12

Dear Buyer!

This product is a technically complicated one. Study thoroughly the present manual before the first start and follow all the safety precautions strictly! The negligence of them may lead to dangerous injuries! The design of the product is under constant upgrading, that is why some changes which are not included in the present manual are possible, but they do not detract the service properties of the product.

SAFETY WARNINGS

	DANGER! It means extremely dangerous situation, which can lead to death or severe injury.
	ATTENTION! It means a potentially dangerous situation, which can lead to severe injury.
	WARNING! It means a potentially dangerous situation, which can lead to light or moderate injuries.
	CAUTION! It means a situation, not related to physical injury. But it can lead to equipment damage.
	Electric Shock Risk!
	Flammability!
	ATTENTION! Read the manual attentively in order to reduce the risk of injury.

PROPER USAGE AND GENERAL INFORMATION

Electrical Rotary Hammer is designed for hammer drilling in bricks, concrete and rocks, the destruction of brickwork, punching stoves and grooves in concrete, stone, brick and also for drilling into different constructional materials.

The device is designed for usage at environment temperature from 0 °C to 40 °C, relative humidity not more than 80% and absence of direct exposure of atmospheric condensation and excessive air dustiness.

Rotary Hammer is suitable only for private use and must be used in intermittent duty not more than 20 hours per month. It is recommended to use on-loading not more than a nominal, for 10-15 minutes and then to have a break for 20-30 minutes. This usage mode enables to complete domestic tasks effectively and prevents the tool from a premature coming out of order.

This manual contains the information and the requirements necessary and sufficient for a sure, effective and secure use of the rotary hammer.

Due to constant improving of the tool the manufacture reserves the right to make minor changes in its construction, not mentioned in this manual and not worsening its consumer and operational properties, effective and secure use.

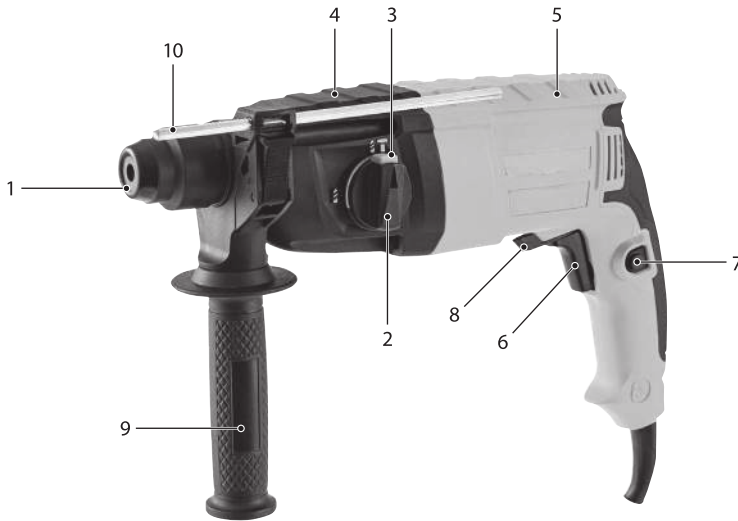
COMPLETENESS OF SET

The set contains:

1. Electrical Rotary Hammer	1 pc.	7. Drill bit SDS+ 10×150 mm	1 pc.
2. Side handle	1 pc.	8. Container with grease	1 pc.
3. Depth gauge	1 pc.	9. Set of spare carbon brushes	1 pc.
4. Dust collector	1 pc.	10. Instruction manual	1 pc.
5. Drill bit SDS+ 6×150 mm	1 pc.	11. Warranty card	1 pc.
6. Drill bit SDS+ 8×150 mm	1 pc.	12. Plastic case	1 pc.

HANDLING INSTRUCTIONS

General view of the tool is shown in picture 1.



Pic. 1

- | | |
|---|-------------------------------|
| 1. Bearing box for the working tool SDS-plus. | 6. Switch key. |
| 2. Working mode switch. | 7. Switch hold button. |
| 3. Fixing mechanism of the mode switch. | 8. Rotation direction switch. |
| 4. Gear housing. | 9. Side handle. |
| 5. Engine housing. | 10. Drilling depth limiter. |


Electrical Rotary Hammer represents an impact rotary machine consisting of electric drive and actuator. An electric drive of the electrical rotary hammer is an alternating current collector motor housed in a plastic case. Actuating mechanism driving the working tool consists of an impact mechanism combination of the vacuum compression type (creating a directional impact without returning) and a rotation drive.

SPECIFICATIONS

Model / Item No	RHH-600-22 / 26602
Maximum drilling diameter in concrete, mm	22
Maximum drilling diameter in wood, mm	30
Maximum drilling diameter in steel, mm	13
Impact energy, J	2,5
The number of operational modes	2
Safety clutch	Yes
Type of chuck	SDS-plus
Speed adjustment	Yes
Reverse	Yes
No load speed, min ⁻¹	0-1000
Impact rate, min ⁻¹	0-3900
Power, W	600
Rated voltage, V	230
Frequency, Hz	50
Cable length, m	3
Power indicator	No
Indicator of carbon brushes runout	No
Protection class	IP20
Noise level, dBA	72
Uncertainty of noise power level, dBA	1,5
Vibration level, m/s ²	3,5
Uncertainty of vibration level, m/s ²	1,5
Degree of protection against electric shock	II
Weight net, kg	2,51
Weight gross, kg	4,2

EN

GENERAL SAFETY INSTRUCTIONS FOR ELECTRIC TOOLS



WARNING!
 Before starting work read all the safety information and instructions.
 Non-observance to the safety rules and instructions may lead to electric shock, fire and/or severe injury.

Keep all safety instructions for subsequent use

The Term «power tool» refers to your electric (with cable) or battery power (wireless) tool in all the instructions below.

Workplace safety

- a) Keep the workplace clean and provide it with good light. Poor light or mess at workplace may lead to an accident.
- b) Do not use power tools if there is a danger of fire or explosion, for example, near flammable liquids, gas or dust. During work electric tools give up sparks, which can ignite dust or flammable vapors.
- c) While working with power tools do not keep close children or other people. A distraction may cause loss of control over the work.

EN

Electrical safety

- a) The cable plug of an electric tool must match the power outlet. Never modify an electrical cable plug. Do not use connecting adapter plugs, if there is a ground wire in the power cable of the electric tool. Usage of an original cable plug and a corresponding power outlet reduces the risk of electric shock.
- b) While working with electric tool avoid physical contact with grounded objects such as pipelines, radiators, electric stoves and refrigerators. The risk of electric shock increases if your body is grounded.
- c) Do not use electric tool in the rain or in a humid environment. Water entering into the electric tool increases the risk of electric shock.
- d) Handle electrical cable with care. Never use the cable for carrying electric tool or pulling its plug out of the receptacle. Do not expose electrical cable to high temperatures and lubricants; keep it away from sharp edges and moving parts of the tool. Damaged or entangled cable increases the risk of electric shock.
- e) While working with electric tool outdoors use an extension cable intended for outdoor use. Using the cable suitable for working outdoors reduces the risk of electric shock.
- f) While working with electric tool in a humid environment use a power supply equipped with a safety protective shutdown device. The usage of this device reduces the risk of electric shock.

Personal safety

- a) While working with electric tools be careful, watch what you do and use common sense. Do not use electric tool if you are tired as well as being under the influence of alcohol or drugs lowering the reaction and other remedies. The slightest negligence may cause serious injury while working with electric tools.
- b) While working use personal protective equipment. Always wear safety glasses. Timely using of protective equipment such as: dust mask, boots with non-slip sole, safety hat or noise protection headphones, significantly reduces the risk of injury.
- c) Do not allow unintended start. Before plugging in electric tool and/or connecting it to battery lift or move it, be sure the switch is in the off position. Do not carry electric tool with the trigger switch pressed and do not plug the electric tool into a power outlet if the switch is set to "on". This may lead to an accident.
- d) Before turning on the electric tool remove from it all adjusting keys or spanners. An adjusting key or spanner left fixed on the rotating part of the electric tool can cause severe injury.
- e) Work in a steady posture. Always keep your balance and a steady posture. This will allow you not to lose control when working with electric tool in an unexpected situation.
- f) Dress properly. Do not wear loose clothes or jewelry while working. Make sure your hair, clothing or gloves are at a constant distance from the rotating parts of the tool. Loose clothes, jewelry or long hair can get into the rotating parts of the tool.
- g) If the electric tool is equipped with a dust collection and removal device, make sure this device is properly connected and used. The use of a dust removal device significantly reduces the risk of an accident due to a dusty working space.

Use of electric tools and technical care

- a) Do not overload the electric tool. Use your tool for its intended purpose. The electric tool works safe and secure only if you keep to the parameters specified in its technical specifications.
- b) Do not use the electric tool if its switch cannot be set to the "on" or "off" position. Electric tool with a broken switch is dangerous and must be repaired.
- c) Unplug the electric tool from the power outlet and/or remove battery before adjusting, replacement of accessories or when storing electric tool. Such precautions reduce the risk of an accidentally turning on of the electric tool.

d) Store unused electric tools out of the reach of children and do not let persons who are not familiar with electric tool or these instructions work with electric tools. Electric tools are dangerous in the hands of inexperienced users.

e) Check the electric tool regularly. Check alignment accuracy and ease of movement of moving parts, integrity of parts and any other elements of the electric tool affecting its work. Do not use a broken electric tool until it is completely repaired. Most accidents are the result of insufficient maintenance of the electric tool.

f) Watch out for sharpness and cleanness of cutting accessories. Sharp-edged accessories allow avoiding jamming and make work less tiring.

g) Use electric tool and accessories in accordance with this manual and taking into account the working conditions and nature of future work. Misuse of the electric tool can create a hazardous situation.

Maintenance

Your electric tool must be repaired only by qualified specialists using original spare parts. This will ensure safety and reliability of your electric tool in further use.

Additional Safety Rules when working with Electrical Rotary Hammer

- Wear ear protectors. Noise exposure may cause hearing loss.
- Use extra handles supplied with the tool when working. Loss of tool control may cause serious injury.
- Hold electric tool for insulated handles when performing operations during which working tooling can touch the hidden wiring or its own cable. A contact with live wire may cause voltage on metal parts of electric tool which creates danger of electric shock.
- Use clamps or other devices for fixing the workpiece installing them only on a fixed surface. If you hold the workpiece by hands, you can lose control over the tool or workpiece.
- Wear safety glasses or other eye protection. When drilling with an impact, material particles scatter in all directions. Scattering particles can damage the eyes. When performing operations during which dust appears, wear a protective mask or a respirator. When performing most operations it is recommended to wear noise headphones or other ear protection.
- When working always hold the tool firmly. It is allowed to work with a tool only holding it with both hands. It is recommended to use the auxiliary handle during each operation. One-hand tool management may lead to loss of control. When chiseling, parts from hard materials such as reinforcing bars may be dangerous as well. Tighten the auxiliary handle safely before starting work.
- Continuous work with this electric tool during a long period of time is not allowed. Vibration produced during hammering may cause harm to your hands or feet. Use gloves for better anti-vibration protection and limit the effects of vibration, taking frequent breaks in work.
- Do not attempt to repair the working tooling by yourself. Repair must be carried out by a qualified technician. Chisels, drill bits, etc. which are restored may cause injury or tool failure.
- Wear gloves when working with electric tool or when changing the tooling. Working tooling may become very hot during the work and cause burns to unprotected hands.
- Never lay the tool until the full stop of the tooling. Rotating chisel or drill can cause injury.
- Never hit with a hammer on jammed tooling trying to free it. Particles of the workpiece or metal shavings may bounce off and cause injury.
- Hold electrical cable away from the rotating working tool. Do not wrap the cable around any part of your body. Electrical cable, wound on a rotating working tooling, may cause loss of control of the tool and serious injury.



ATTENTION!

It is recommended to use a safety shutdown device with actuation current not more than 30 mA.

In spite of the compliance with relevant safety means instructions and use of safety devices, some residual risks cannot be completely eliminated. They are:

- injuries caused by touching hot or rotating instrument parts;
- impairment of hearing;
- risk of pinching fingers when changing working tool;
- damage to health due to vibration appearing at work;
- damage to health due to inhalation of dust when working with concrete and/or bricks.

OPERATION

Modes of operation

Electrical Rotary Hammer has the following modes of operation:



Drilling. The mode is intended for the use of a drill chuck with SDS-plus adapter (not included in the set) or special drills with an SDS-plus shank.



Drilling with impact. In this mode it is necessary to use only a special shockproof working tool with a shank SDS-plus. Adapters are not allowed.

The modes of operation switching are carried out using the switch 2. To turn the switch 2 you need to unlock it by pressing the lock 3.



ATTENTION!

You can change the switch position 2 only after complete stop of the engine.

Adjustment and setting of the working tool rotational speed

Electrical Rotary Hammer has the ability to change smoothly the working tool rotational speed from minimum to maximum by changing key pressure on the switch 6. You can change the speed of rotation with the engine running in the process of working. The key 6 of the switch can be locked in the "on" by pressing the fixing button 7. To unlock the key 6 press it again.

Using the regulator 11 you can change the working tool rotational speed when the key 6 being in the "on" position is blocked.

Electrical Rotary Hammer also has the ability to change direction of rotation of the working tool on the opposite with the switch 8.



ATTENTION!


You can change a position of the direction of rotation switch 8 only after complete stop of the engine and if the key of the switch 6 is in the "off" position.

Installation of the working tooling

Electrical Rotary Hammer is designed to work with the working tool equipped with a shank of a special type SDS-Plus which is installed in the receiving device (box) 1. The box construction provides a torque transmission on the working tool and a possibility of displacement of the working tool axis on 5-10 mm in order to make an energy transfer impact more effective.

The working tool equipped with a shank type SDS-Plus has to be installed without any effort in the opening of the box and cranked around its axis slightly so as to the slots of the box matched the grooves of the shank

(the working tool "sinks down" around 1-2 mm), then insert the tool until it stops. Special mechanism prevents spontaneous loss of the working tool from the box. To remove the working tool pull back the outside cup of the box 1 until it stops, then take out the working tool. The adapter for drill chuck is installed in Electrical Rotary Hammer the same way.



ATTENTION!
Before installing into the box the shank of the working tool should be lubricated with special grease.

EN

Using the auxiliary handle


You should always use the auxiliary handle supplied with the tool. Losing control of the tool while working may cause injury.

To install the side handle 9 let loose the clamp by counterclockwise rotation of the grip, then install the handle on the machine in the desired angular position and fix it by clockwise rotation of the grip.


Setting the depth of drilling

Using the depth gauge 10 you can set the desired depth of drilling. To do this loosen the wing screw of the mount of the limiter, set the required processing size (distance from drill bit point to the end of the gauge), and tighten the wing screw.

Power connection



ATTENTION!
The electric tools should be connected only to the single phase AC network which voltage corresponds to voltage indicated on the specifications. This electric tool can be connected to sockets without earthing protection because it has double insulation (protection class II).



ATTENTION!
Before plugging in make sure the switch is in the "off" position. With long-term storage of the tool the switch must be in the "off" position.

Before using the electric rotary hammer you must:

- inspect and verify its completeness and no external damage;
- after transportation in winter conditions before turning on leave it at room temperature until complete drying of water condensate;
- after a long break (especially when operating at low temperatures) it is necessary to warm up the electrical rotary hammer by idling during 1-2 minutes.

Before getting started you must:

- check the service ability of the used working tool;
- install the working tool, previously the shank of the working tool should be lubricated with special grease;
- install the side handle in a comfortable work position;
- set and fix depth gauge;
- check the correctness and clarity of operation of the switch;
- check the correct installation of the direction of rotation switch 8 (the switch must be set to the extreme position);
- using the switch 2 set the required mode of work;
- try the Electrical Rotary Hammer by idling during 5-10 seconds (also after tool change).

While working:

- periodically remove the drill from the hole to remove sludge from the drilling zone;
- watch the condition of the tool and the working tool, their heating;
- provide the efficient cooling of Electrical Rotary Hammer and the disposal of processing products from the treatment area, do not block the ventilation holes on the housing;
- protect the Electrical Rotary Hammer from exposure of intense heat sources and chemically active substances, as well as from the ingress of liquids and solid objects inside the housing;
- avoid mechanical damage to the Electrical Rotary Hammer (shocks, falls, etc.);
- do not overload the Electrical Rotary Hammer putting too much effort to it. For effective operation of the impact mechanism just press the working tool to the treated surface with an effort of order 20-30H;
- choosing the feed force when drilling or chiseling, focus on reducing engine speed under load: decrease in revolutions by more than 20% compared to idle leads to a significant deterioration in engine cooling and indicates overload;
- do not overheat external Electrical Rotary Hammer parts during long work. If there is an excessive heat, stop working, let the Electrical Rotary Hammer work without load for 1-2 minutes for engine cooling, turn off the engine and take a break until the gear housing become cool;
- do not allow the Electrical Rotary Hammer work when there is extraneous or uncharacteristic noise in the engine or gear. When there are noises turn off the Electrical Rotary Hammer and contact an authorized service;
- turn off the Electrical Rotary Hammer with the switch before disconnecting from the power supply.



ATTENTION!

If during usage the Electrical Rotary Hammer unexpectedly shuts down work it is necessary:

1. To turn the power key to "off" immediately and disconnect the power cable from the outlet.
2. To inspect the tool and electrical cable for damage carefully. If damage is found, contact the service center.
3. Check for mains voltage.
4. To carry out trial switch on by turning the switch key to the "on" position for 1-2 sec. If in the presence of power in the mains the Electrical Rotary Hammer does not turn on, you need to contact the service center.

At the end of the work:

- disconnect the Electrical Rotary Hammer from the mains, making sure the switch is in the off position;
- clean the Electrical Rotary Hammer and accessories from dirt;
- with a long break in work lubricate the box with a layer of conservation grease;
- periodically clean the ventilation holes with a soft brush and vacuum cleaner.

NOISE AND VIBRATION

Noise and vibration characteristics are given in the Table.

The noise and vibration levels specified in this manual are measured by measurement method, prescribed in the standard, and can be used to compare. However, if the Electrical Rotary Hammer is used for other work with the use of working toolings, not provided by the manufacturer, or maintenance does not meet the requirements, then the vibration level may be different.



ATTENTION!

Always use personal hearing protection.

MAINTENANCE



ATTENTION!
 Before starting maintenance and adjustment of the Electrical Rotary Hammer unplug the power cord from the power outlet. To ensure quality and safe functioning keep your tool and vents clean at all times.

EN

If you notice a decrease in impact energy, working tool speed of rotation or extraneous noise, it is necessary to hand over the punch to the service center for its repair.


Working tool maintenance. The use of the worn working tool reduces the effectiveness of the work and may result in motor or gearbox failure, so you need to sharpen periodically or replace worn removable tools, as soon as there is a need.

Electric motor care. You must be especially careful with the electric motor, avoid getting liquids and objects inside the case. Keep your ventilation holes clean, blow them regularly with compressed air or clean them with a brush. When noticeable sparks appear, contact an authorized service center for diagnostics and replacement of carbon brushes if necessary.

To prevent dust and grease leakage this Electrical Rotary Hammer has a hermetic design. Therefore, the tool can be used for a long time and you have no need to replace or add grease. After initial commissioning change lubrication every 6 months of operation.

Every time after use clean the tool holder box.

In case of any damage to the power cord turn off the Electrical Rotary Hammer immediately, carefully, without touching the places of damage, disconnect it from the mains.



ATTENTION!
 Electrical Rotary Hammers use power cord with mounting type Y: for security it must be replaced by authorized repair shop personnel.

POSSIBLE FAULTS

Fault	Probable cause	Problem solution
When turning on the Electrical Rotary Hammer, there is no impact or rotation of the tool.	Damaged gear or impact mechanism.	Call the service center.
At turning on on, the electric motor does not work (line voltage available).	Damaged switch or plug. Broken power cord or mounting wire. Brush or collector malfunction.	Call the service center. Call the service center. Call the service center.
Circular fire on the collector.	Damage in the armature winding. Wearout / "hang " of brushes.	Call the service center. Call the service center.
Increased noise in the gear or impact mechanism.	Wearout / breakage of the mechanism parts.	Call the service center.
When working smoke or smell of burning insulation is goes out from the vent.	Interturn closure of armature or stator windings. Malfunction of the electrical part of the instrument.	Call the service center. Call the service center.
Tooling is not fixed or not extracted from the box.	Damaged device of the tooling mount. The use of low-quality tooling.	Call the service center. Use high-quality tooling

The List of Critical Failures

- do not use at strong sparking.
- do not use at strong vibration.
- do not use with the damaged or bare wire.
- do not use at appearing of smoke out of the body of the tool.

EN

Possible Wrong Actions of the Stuff

- do not use with the damaged handle or protective cover.
- do not use outside during rainy weather.
- do not switch on if water has come inside.

Limited State Criteria

- the wire is worn down or damaged.
- the body of the tool is damaged.

STORAGE

During the assigned service life, store Electrical Rotary Hammer in a dry heated room. Recommended storage temperature is from 0 °C to +40 °C. Store Electrical Rotary Hammer in the original packaging. Before placing the Electrical Rotary Hammer in storage remove the working tool.

TRANSPORTATION

During the transportation direct exposure of precipitation, direct sunlight, heat and shock is not allowed. Transportation should be carried out only in original packaging at ambient temperature from -20 °C to +40 °C.

RECYCLING

The developed a designated service life tool must be recycled according to the rules established by environmental and other laws of the country where the tool is operated.

LIFE TIME

Average product life time is 5 years if the customer follows the rules of operation.

WARRANTY OBLIGATIONS

The product is covered by the manufacturer's warranty.

The warranty period is specified in the warranty card and calculated from the date of sale. Terms of warranty service are given in the warranty card.

Manufacturer: Yongkang Lingwei Electric Co., Ltd. Jinguquan Village, Huajie Town, Yongkang City, Zhejiang.

Made in China.

The product complies with the following regulatory documents:

Directive MD 2006/42/EC;

Directive EMC 2014/30/EU;

Directive ROHS 2011/65/EU.




СОДЕРЖАНИЕ

ОПИСАНИЕ СИМВОЛОВ.....	14
НАЗНАЧЕНИЕ	14
КОМПЛЕКТАЦИЯ	15
УСТРОЙСТВО	15
ТЕХНИЧЕСКИЕ ХАРАКТЕРИСТИКИ	16
ОБЩИЕ ПРАВИЛА БЕЗОПАСНОСТИ ПРИ РАБОТЕ С ЭЛЕКТРОИНСТРУМЕНТАМИ	16
ЭКСПЛУАТАЦИЯ	19
ШУМ И ВИБРАЦИЯ	22
ТЕХНИЧЕСКОЕ ОБСЛУЖИВАНИЕ	22
ВОЗМОЖНЫЕ НЕИСПРАВНОСТИ И СПОСОБЫ ИХ УСТРАНЕНИЯ.....	23
ХРАНЕНИЕ	24
ТРАНСПОРТИРОВКА.....	24
УТИЛИЗАЦИЯ.....	24
СРОК СЛУЖБЫ	24
ГАРАНТИЙНЫЕ ОБЯЗАТЕЛЬСТВА	24
ДАТА ИЗГОТОВЛЕНИЯ	24
ИМПОРТЕР	24

Уважаемый покупатель!

Данное изделие является технически сложным. Перед первым запуском внимательно изучите настоящая руководство по эксплуатации и строго соблюдайте все меры предосторожности! Их несоблюдение может привести к опасным для жизни травмам! Конструкция устройства постоянно совершенствуется, поэтому возможны некоторые изменения, не отраженные в настоящем руководстве и не ухудшающие эксплуатационные качества изделия.

ОПИСАНИЕ СИМВОЛОВ

	ОПАСНО! Означает чрезвычайно опасную ситуацию, которая может привести к смертельному исходу или получению тяжелой травмы.
	ВНИМАНИЕ! Означает потенциально опасную ситуацию, которая может привести к получению тяжелой травмы.
	ПРЕДУПРЕЖДЕНИЕ! Означает потенциально опасную ситуацию, которая может привести к получению травмы легкой или средней тяжести.
	ПРЕДОСТЕРЕЖЕНИЕ! Означает ситуацию, не связанную с получением телесной травмы, которая, однако, может привести к повреждению оборудования.
	Риск поражения электрическим током!
	Огнеопасность!
	ВНИМАНИЕ! Внимательно прочтите руководство по эксплуатации для снижения риска получения травмы.

НАЗНАЧЕНИЕ

Перфоратор ручной электрический (далее по тексту «перфоратор») предназначен для бурения отверстий в кирпичной кладке, бетоне и камне; для разрушения кирпичной кладки, пробивания штроб и борозд в бетоне, камне, кирпиче; а также для сверления отверстий в различных конструкционных материалах.

Перфоратор предназначен для эксплуатации при температуре окружающей среды от 0 °С до 40 °С, относительной влажности воздуха не более 80% и отсутствии прямого воздействия атмосферных осадков и чрезмерной запыленности воздуха.

Перфоратор относится к бытовому классу инструмента и должен эксплуатироваться в повторно-кратковременном режиме с наработкой до 20 часов в месяц. Рекомендуется эксплуатация с нагрузкой, не превышающей номинальную, в течение 10-15 минут и последующим перерывом 20-30 минут. Такой режим эксплуатации позволяет эффективно выполнять все задачи, возникающие в быту, и предохраняет инструмент от преждевременного выхода из строя.

Настоящее руководство содержит сведения и требования, необходимые и достаточные для надежной, эффективной и безопасной эксплуатации перфоратора.

В связи с постоянной деятельностью по совершенствованию инструмента изготовитель оставляет за собой право вносить в его конструкцию незначительные изменения, не отраженные в настоящем руководстве и не ухудшающие его потребительские и эксплуатационные свойства, безопасность и эффективность работы.

КОМПЛЕКТАЦИЯ

В комплект поставки перфоратора входит:

1. Перфоратор электрический	1 шт.	7. Бур SDS+ 10×150 мм	1 шт.
2. Рукоятка боковая	1 шт.	8. Емкость со смазкой	1 шт.
3. Глубиномер	1 шт.	9. Комплект запасных угольных щеток	1 шт.
4. Пылеуловитель	1 шт.	10. Инструкция по эксплуатации	1 шт.
5. Бур SDS+ 6×150 мм	1 шт.	11. Гарантийный талон	1 шт.
6. Бур SDS+ 8×150 мм	1 шт.	12. Кейс упаковочный	1 шт.

УСТРОЙСТВО

Общий вид машины представлен на рис. 1.

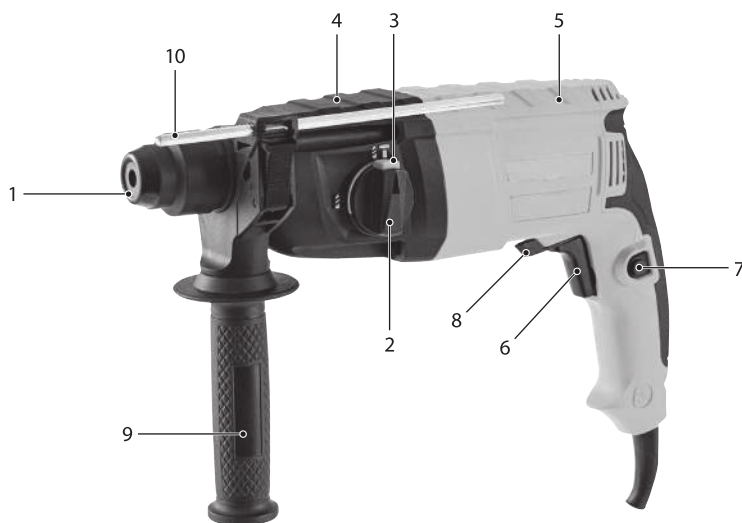


Рис. 1

- | | |
|---|--|
| 1. Букса крепления оснастки SDS-plus. | 6. Клавиша выключателя. |
| 2. Переключатель режимов работы. | 7. Кнопка фиксации выключателя. |
| 3. Фиксатор переключателя режимов работы. | 8. Переключатель направления вращения. |
| 4. Корпус редуктора. | 9. Рукоятка боковая. |
| 5. Корпус двигателя. | 10. Ограничитель глубины сверления. |

Перфоратор представляет собой машину ударно-вращательного действия, состоящую из электропривода и исполнительного механизма. Электроприводом перфоратора служит коллекторный двигатель переменного тока, размещенный в пластмассовом корпусе. Исполнительный механизм, приводящий в действие рабочую оснастку, является комбинацией ударного механизма вакуумно-компрессионного типа (создающего направленный удар без отдачи) и привода вращения.

ТЕХНИЧЕСКИЕ ХАРАКТЕРИСТИКИ

Модель / Артикул	RHH-600-22 / 26602
Максимальный диаметр бурения в бетоне, мм	22
Максимальный диаметр сверления в древесине, мм	30
Максимальный диаметр сверления в стали, мм	13
Энергия удара, Дж	2,5
Количество режимов работы	2
Предохранительная муфта	Есть
Вид патрона	SDS-plus
Регулировка скорости	Есть
Реверс	Есть
Частота вращения шпинделя, об/мин	0-1000
Частота ударов, мин ⁻¹	0-3900
Номинальная потребляемая мощность, Вт	600
Параметры сети, В~ Гц	230~ 50
Длина кабеля питания, м	3
Индикатор подключения к сети	Нет
Индикатор состояния щеток	Нет
Степень защиты от проникновения предметов и жидкости	IP20
Уровень звукового давления, дБА	72
Неопределенность уровня звуковой мощности, дБА	1,5
Уровень вибраций, м/с ²	3,5
Неопределенность уровня вибраций, м/с ²	1,5
Степень защиты от поражения электрическим током	II
Масса изделия нетто, кг	2,51
Масса изделия брутто, кг	4,2

ОБЩИЕ ПРАВИЛА БЕЗОПАСНОСТИ ПРИ РАБОТЕ С ЭЛЕКТРОИНСТРУМЕНТАМИ

**ВНИМАНИЕ!**

Перед началом работы внимательно прочтите все правила безопасности и инструкции. Несоблюдение всех перечисленных ниже правил безопасности и инструкций может привести к поражению электрическим током, возникновению пожара и/или получению тяжелой травмы.

Сохраните все правила безопасности и инструкции для последующего использования

Термин «Электроинструмент» во всех приведенных ниже указаниях относится к вашему сетевому (с кабелем) или аккумуляторному (беспроводному) электроинструменту.

Безопасность рабочего места

- а) Содержите рабочее место в чистоте и обеспечьте хорошее освещение. Плохое освещение или беспорядок на рабочем месте может привести к несчастному случаю.
- б) Не используйте электроинструменты, если есть опасность возгорания или взрыва, например, вблизи легковоспламеняющихся жидкостей, газов или пыли. В процессе работы электроинструменты создают искровые разряды, которые могут воспламенить пыль или горючие пары.
- в) Во время работы с электроинструментом не подпускайте близко детей или посторонних лиц. Отвлечение внимания может вызвать у вас потерю контроля над рабочим процессом.

Электробезопасность

- а) Вилка кабеля электроинструмента должна соответствовать штепсельной розетке. Ни в коем случае не видоизменяйте вилку электрического кабеля. Не используйте соединительные штепсели-переходники, если в силовом кабеле электроинструмента есть провод заземления. Использование оригинальной вилки кабеля и соответствующей ей штепсельной розетки уменьшает риск поражения электрическим током.
- б) Во время работы с электроинструментом избегайте физического контакта с заземленными объектами, такими как трубопроводы, радиаторы отопления, электроплиты и холодильники. Риск поражения электрическим током увеличивается, если ваше тело заземлено.
- в) Не используйте электроинструмент под дождем или во влажной среде. Попадание воды в электроинструмент увеличивает риск поражения электрическим током.
- г) Бережно обращайтесь с электрическим кабелем. Ни в коем случае не используйте кабель для переноски электроинструмента или для вытягивания его вилки из штепсельной розетки. Не подвергайте электрический кабель воздействию высоких температур и смазочных веществ; держите его в стороне от острых кромок и движущихся частей инструмента. Поврежденный или запутанный кабель увеличивает риск поражения электрическим током.
- д) При работе с электроинструментом на открытом воздухе используйте удлинительный кабель, предназначенный для наружных работ. Использование кабеля, пригодного для работы на открытом воздухе, снижает риск поражения электрическим током.
- е) При необходимости работы с электроинструментом во влажной среде используйте источник питания, оборудованный устройством защитного отключения (УЗО). Использование УЗО снижает риск поражения электрическим током.

Личная безопасность

- а) При работе с электроинструментами будьте внимательны, следите за тем, что вы делаете, и руководствуйтесь здравым смыслом. Не используйте электроинструмент, если вы устали, а также находясь под действием алкоголя или понижающих реакцию лекарственных препаратов и других средств. Малейшая неосторожность при работе с электроинструментами может привести к серьезной травме.
- б) При работе используйте средства индивидуальной защиты. Всегда надевайте защитные очки. Своевременное использование защитного снаряжения, а именно: пылезащитной маски, ботинок на нескользящей подошве, защитного шлема или противOSHUMOVЫХ наушников, - значительно снизит риск получения травмы.
- в) Не допускайте непреднамеренного запуска. Перед тем как подключить электроинструмент к сети и/или аккумулятору, поднять или перенести его, убедитесь, что выключатель находится в положении «выключено». Не переносите электроинструмент с нажатым курковым выключателем и не подключайте к сетевой розетке электроинструмент, выключатель которого установлен в положение «включено», это может привести к несчастному случаю.
- г) Перед включением электроинструмента снимите с него все регулировочные или гаечные ключи. Регулировочный или гаечный ключ, оставленный закрепленным на вращающейся части электроинструмента, может стать причиной тяжелой травмы.
- д) Работайте в устойчивой позе. Всегда сохраняйте равновесие и устойчивую позу. Это позволит вам не потерять контроль при работе с электроинструментом в непредвиденной ситуации.

е) Одевайтесь соответствующим образом. Во время работы не надевайте свободную одежду или украшения. Следите за тем, чтобы ваши волосы, одежда или перчатки находились в постоянном отдалении от движущихся частей инструмента. Свободная одежда, украшения или длинные волосы могут попасть в движущиеся части инструмента.

ж) Если электроинструмент снабжен устройством сбора и удаления пыли, убедитесь, что данное устройство подключено и используется надлежащим образом. Использование устройства пылеудаления значительно снижает риск возникновения несчастного случая, связанного с запыленностью рабочего пространства.

Использование электроинструментов и технический уход

а) Не перегружайте электроинструмент. Используйте ваш инструмент по назначению. Электроинструмент работает надежно и безопасно только при соблюдении параметров, указанных в его технических характеристиках.

б) Не используйте электроинструмент, если его выключатель не устанавливается в положение включения или выключения. Электроинструмент с неисправным выключателем представляет опасность и подлежит ремонту.

в) Отключайте электроинструмент от сетевой розетки и/или извлекайте аккумулятор перед регулированием, заменой принадлежностей или при хранении электроинструмента. Такие меры предосторожности снижают риск случайного включения электроинструмента.

г) Храните неиспользуемые электроинструменты в недоступном для детей месте и не позволяйте лицам, не знакомым с электроинструментом или данными инструкциями, работать с электроинструментом. Электроинструменты представляют опасность в руках неопытных пользователей.

д) Регулярно контролируйте исправность электроинструмента. Проверяйте точность совмещения и легкость перемещения подвижных частей, целостность деталей и любых других элементов электроинструмента, воздействующих на его работу. Не используйте неисправный электроинструмент, пока он не будет полностью отремонтирован. Большинство несчастных случаев являются следствием недостаточного технического ухода за электроинструментом.

е) Следите за остротой заточки и чистотой режущих принадлежностей. Принадлежности с острыми кромками позволяют избежать заклинивания и делают работу менее утомительной.

ж) Используйте электроинструмент, аксессуары и насадки в соответствии с данным руководством и с учетом рабочих условий и характера будущей работы. Использование электроинструмента не по назначению может создать опасную ситуацию.

Техническое обслуживание

Ремонт вашего электроинструмента должен производиться только квалифицированными специалистами с использованием оригинальных запасных частей. Это обеспечит безопасность и надежность вашего электроинструмента в дальнейшей эксплуатации.

Дополнительные правила безопасности при работе перфораторами

- Надевайте защитные наушники. Воздействие шума может привести к потере слуха.
- При работе пользуйтесь дополнительными рукоятками, прилагающимися к инструменту. Потеря контроля над инструментом может привести к тяжелой травме.
- Держите электроинструмент за изолированные ручки при выполнении операций, во время которых рабочая оснастка может задеть скрытую проводку или собственный кабель. Контакт с находящимся под напряжением проводом может привести к появлению напряжения на металлических частях электроинструмента, что создает опасность поражения электрическим током.
- Используйте струбины или другие приспособления для фиксации обрабатываемой детали, устанавливая их только на неподвижной поверхности. Если держать обрабатываемую деталь руками или с упором в собственное тело, то можно потерять контроль над инструментом или обрабатываемой деталью.
- Надевайте защитные очки или другие средства защиты глаз. При сверлении с ударом частицы материала разлетаются во все стороны. Разлетающиеся частицы могут повредить глаза. При выполнении операций, в ходе которых образуется пыль, надевайте защитную маску или респиратор. При выполнении большинства операций рекомендуется ношение противозащитных наушников или других средств защиты органов слуха.

- При работе всегда крепко держите инструмент. Работать инструментом разрешается, только держа его обеими руками. Рекомендуется при каждой операции использовать боковую рукоятку. Управление инструментом одной рукой может привести к потере контроля. Также при долблении могут представлять опасность детали из материалов повышенной твердости, такие как арматурные стержни. Надежно затягивайте боковую рукоятку перед началом работы.
- Не допускается непрерывная работа данным электроинструментом в течение длительного периода времени. Вибрация, производимая во время ударного сверления, может причинить вред вашим рукам или ногам. Используйте перчатки для лучшей антивибрационной защиты и ограничьте воздействие вибрации, устраивая частые перерывы в работе.
- Не пытайтесь самостоятельно ремонтировать рабочую оснастку. Ремонт должен осуществляться квалифицированным специалистом. Неправильно восстановленные долота, буры, коронки и т.д. могут стать причиной получения травмы или выхода инструмента из строя.
- Надевайте перчатки при работе электроинструментом или при смене насадок. Рабочая оснастка может сильно нагреваться в процессе работы и стать причиной ожога незащищенных рук.
- Никогда не кладите инструмент до полной остановки насадки. Вращающееся долото или бур могут стать причиной получения травмы.
- Никогда не ударяйте молотком по заклиненным насадкам, пытайтесь таким образом их освободить. Частицы обрабатываемого материала или металлическая стружка могут отскочить и стать причиной получения травмы.
- Держите электрический кабель дальше от вращающейся рабочей оснастки. Не оборачивайте кабель вокруг какой-либо части вашего тела. Электрический кабель, намотанный на вращающуюся оснастку, может стать причиной потери контроля над инструментом и получения серьезной травмы.



ВНИМАНИЕ!

Рекомендуется использование устройства защитного отключения (УЗО) с током срабатывания не более 30 мА.

Несмотря на соблюдение соответствующих инструкций по технике безопасности и использование предохранительных устройств, некоторые остаточные риски невозможно полностью исключить. К ним относятся:

- травмы в результате касания горячих или вращающихся частей инструмента;
- ухудшение слуха;
- риск защемления пальцев при смене рабочей оснастки;
- ущерб здоровью в результате воздействия вибрации, возникающей при работе;
- ущерб здоровью в результате вдыхания пыли при работе с бетоном и/или кирпичом.

ЭКСПЛУАТАЦИЯ

Режимы работы

Перфоратор имеет следующие режимы работы:



Сверление. Режим предназначен для использования сверлильного патрона с переходником SDS-plus (в комплект не входит) или специальных сверл с хвостовиком SDS-plus.



Бурение (сверление с ударом). В данном режиме необходимо использовать только специальную ударостойкую оснастку с хвостовиком SDS-plus. Не допускается использование переходников.

Переключение режимов работы осуществляется с помощью переключателя 2. Для поворота переключателя 2 необходимо разблокировать его с помощью нажатия на фиксатор 3.

**ВНИМАНИЕ!**

Менять положение переключателя 2 можно лишь после полной остановки двигателя.

Регулировка и настройка частоты вращения оснастки

RU

Перфоратор имеет возможность плавного изменения частоты вращения оснастки от минимального до максимального значения путем изменения усилия нажатия на клавишу 6 выключателя. Изменять величину оборотов можно при работающем двигателе, в том числе под нагрузкой. Клавиша 6 выключателя может быть заблокирована в положении «Включено» путем нажатия кнопки фиксации 7. Для разблокировки клавиши 6 необходимо нажать на нее еще раз.

Регулировку частоты вращения оснастки при заблокированной во включенном положении клавише 6 можно осуществлять с помощью регулятора 11.

Перфоратор также имеет возможность изменения направления вращения оснастки на противоположное с помощью переключателя 8.

**ВНИМАНИЕ!**

Менять положение переключателя направления вращения 8 можно только после полной остановки двигателя и если клавиша выключателя 6 находится в положении «Выключено».

Установка оснастки

Перфоратор предназначен для работы с оснасткой, имеющей хвостовик специальной формы типа SDS-plus, которая устанавливается в приемное устройство (буксу) 1. Конструкция буксы обеспечивает передачу крутящего момента на оснастку и возможность смещения оснастки по оси на 5-10 мм для эффективной передачи энергии удара.

Оснастку с хвостовиком типа SDS-Plus вставить в отверстие буксы без усилия и слегка провернуть вокруг своей оси так, чтобы шлицы буксы совпали с пазами хвостовика (оснастка «западает» на 1-2 мм), затем вставить инструмент до упора. Специальный механизм предотвращает самопроизвольное выпадение оснастки из буксы. Для снятия оснастки наружный стакан буксы 1 отвести назад до упора, вынуть оснастку. Переходник для сверлильного патрона устанавливается в перфоратор аналогичным способом.

**ВНИМАНИЕ!**

Перед установкой в отверстие буксы хвостовик оснастки должен быть смазан специальной смазкой.

Использование дополнительной рукоятки

Следует всегда использовать поставляемую с машиной дополнительную рукоятку. Потеря контроля над машиной во время работы может привести к травме.

Для установки боковой рукоятки 9 ослабьте хомут вращением ручки против часовой стрелки, затем установите рукоятку на машину в желаемом угловом положении и зафиксируйте ее вращением ручки по часовой стрелке.

Установка глубины обработки

С помощью ограничителя глубины обработки 10 можно установить требуемую глубину сверления. Для этого ослабьте барашковый винт крепления ограничителя, выставьте требуемый размер обработки (расстояние от вершины сверла/бура до конца ограничителя) и затяните барашковый винт.

Подключение к сети



ВНИМАНИЕ!

Электроинструмент следует подключать только к однофазной сети переменного тока, напряжение которой соответствует напряжению, указанному на табличке характеристик. Данный электроинструмент можно подключать к розеткам, не имеющим защитного заземления, поскольку он имеет двойную изоляцию (класс защиты II).



ВНИМАНИЕ!

Прежде чем вставить вилку в розетку, убедитесь, что выключатель находится в положении «Выключено». При длительном хранении инструмента выключатель должен находиться в положении «Выключено».

RU

Перед началом эксплуатации перфоратора необходимо:

- осмотреть и убедиться в его комплектности и отсутствии внешних повреждений;
- после транспортировки в зимних условиях перед включением выдержать при комнатной температуре до полного высыхания водного конденсата;
- после длительного перерыва (особенно при эксплуатации в условиях низких температур) необходимо прогреть перфоратор работой на холостом ходу в течение 1-2 минут.

Приступая к работе, следует:

- проверить исправность используемой оснастки;
- установить оснастку, предварительно нанеся на ее хвостовик специальную смазку для буров;
- установить боковую рукоятку в удобное для работы положение;
- выставить и зафиксировать ограничитель глубины обработки;
- проверить правильность и четкость срабатывания выключателя;
- проверить правильность установки переключателя направления вращения 8 (переключатель должен быть установлен в крайнее положение);
- с помощью переключателя 2 установить необходимый режим работы;
- опробовать работу перфоратора на холостом ходу в течение 5-10 секунд (также после замены инструмента).

Во время работы:

- периодически выводите бур из шурфа (отверстия) для удаления шлама из зоны бурения;
- следите за состоянием инструмента и оснастки, их нагревом;
- обеспечьте эффективное охлаждение перфоратора и отвод продуктов обработки из зоны обработки, не перекрывайте вентиляционные отверстия на корпусе;
- оберегайте перфоратор от воздействия интенсивных источников тепла и химически активных веществ, а также от попадания жидкостей и посторонних твердых предметов внутрь корпуса;
- не допускайте механических повреждений перфоратора (ударов, падений и т.п.);
- не перегружайте перфоратор, прилагая слишком большое усилие к нему. Для эффективной работы ударного механизма достаточно прижать оснастку к обрабатываемой поверхности с усилием порядка 20-30 Н (2-3 кгс);
- выбирая усилие подачи при сверлении или бурении, ориентируйтесь на снижение оборотов двигателя под нагрузкой: снижение оборотов более чем на 20% по сравнению с холостым ходом приводит к значительному ухудшению охлаждения двигателя и свидетельствует о перегрузке;
- не допускайте перегрева наружных частей перфоратора при длительной работе. При чрезмерном нагреве прекратите работу, дайте перфоратору поработать без нагрузки в течение 1-2 минут для охлаждения двигателя, выключите двигатель и сделайте перерыв до остывания корпуса редуктора;
- не допускайте работу перфоратора при появлении посторонних или нехарактерных шумов в двигателе или механизме. При появлении шумов выключите перфоратор и обратитесь в авторизованный сервис;
- выключайте перфоратор с помощью выключателя перед отсоединением от сети электропитания.

**ВНИМАНИЕ!**

Если во время эксплуатации перфоратор неожиданно прекратил работу, необходимо выполнить действия, приведенные ниже.

1. Немедленно перевести клавишу включения в положение «Выключено» и отключить питающий кабель от розетки.
2. Внимательно осмотреть перфоратор и электрический кабель на наличие повреждений. При обнаружении повреждений обратиться в сервисный центр.
3. Проверить наличие напряжения сети.
4. Осуществить пробное включение, переведя клавишу выключателя в положение «Включено» на время 1-2 с. Если при наличии электропитания в сети перфоратор не включился, необходимо обратиться в сервисный центр.

По окончании работы:

- отсоедините перфоратор от электросети, убедившись, что выключатель находится в положении «Выключено»;
- очистите перфоратор и дополнительные принадлежности от грязи;
- при длительном перерыве в работе смажьте боксу слоем консервационной смазки;
- периодически прочищайте мягкой щеткой и пылесосом вентиляционные отверстия.

ШУМ И ВИБРАЦИЯ

Шумовые и вибрационные характеристики приведены в таблице.

Указанный в настоящем руководстве по эксплуатации уровень шума и вибрации измерен по методике измерения, прописанной в стандарте, и может быть использован для сравнения. Однако если перфоратор будет использован для выполнения других работ с применением рабочих инструментов, не предусмотренных изготовителем, или техническое обслуживание не будет отвечать предписаниям, то уровень вибрации может быть иным.

**ВНИМАНИЕ!**

Всегда применяйте средства индивидуальной защиты органов слуха.

ТЕХНИЧЕСКОЕ ОБСЛУЖИВАНИЕ

**ВНИМАНИЕ!**

Перед началом работ по обслуживанию и настройке перфоратора отсоедините вилку шнура питания от штепсельной розетки. Для обеспечения качественной и безопасной работы следует постоянно содержать электроинструмент и вентиляционные отверстия в чистоте.

Если вы заметили снижение энергии удара, частоты вращения оснастки или посторонний шум, то необходимо сдать перфоратор в центр технического обслуживания для его ремонта.

Обслуживание оснастки. Использование изношенного сменного инструмента снижает эффективность выполняемой работы и может привести к выходу из строя мотора или редуктора, поэтому необходимо периодически затачивать или заменять износившийся сменный инструмент, как только в этом появляется необходимость.

Уход за электродвигателем. Необходимо особенно бережно относиться к электродвигателю, избегать попадания жидкостей и посторонних предметов внутрь корпуса. Следите за чистотой вентиляционных отверстий, регулярно продувайте их сжатым воздухом или очищайте щеткой. При появлении заметных искр в вентиляционных отверстиях корпуса двигателя обратитесь в авторизованный сервисный центр для диагностики и, возможно, замены угольных щеток.

Для предотвращения попадания пыли и вытекания смазки этот перфоратор имеет герметичную конструкцию. Поэтому перфоратор может использоваться продолжительное время без необходимости замены или добавления смазки. После первоначального пуска в эксплуатацию меняйте смазку раз в 6 месяцев эксплуатации. Для замены смазки обратитесь в центр технического обслуживания.

Каждый раз после использования очищайте буксу крепления инструмента.

В случае любого повреждения шнура питания немедленно выключите перфоратор, аккуратно, не касаясь мест повреждения, отключите его от электросети.



ВНИМАНИЕ!

В перфораторах используется шнур питания с креплением типа Y: в целях безопасности его замену должен осуществлять квалифицированный персонал уполномоченных ремонтных мастерских.

RU

ВОЗМОЖНЫЕ НЕИСПРАВНОСТИ И СПОСОБЫ ИХ УСТРАНЕНИЯ

Неисправность	Причина	Способ устранения
При включении перфоратора отсутствует удар или вращение инструмента.	Неисправен редуктор или ударный механизм.	Обратиться в сервисный центр.
При включении перфоратора электродвигатель не работает (напряжение в сети имеется).	Неисправен выключатель или вилка. Обрыв шнура питания или монтажных проводов. Неисправность щеточного узла или коллектора.	Обратиться в сервисный центр. Обратиться в сервисный центр. Обратиться в сервисный центр.
Образование кругового огня на коллекторе.	Неисправность в обмотке якоря. Износ/«зависание» щеток.	Обратиться в сервисный центр. Обратиться в сервисный центр.
Повышенный шум в редукторе или ударном механизме.	Износ/поломка деталей механизма.	Обратиться в сервисный центр.
При работе из вентиляционных отверстий появляется дым или запах горелой изоляции.	Межвитковое замыкание обмоток якоря или статора. Неисправность электрической части инструмента.	Обратиться в сервисный центр. Обратиться в сервисный центр.
Оснастка не фиксируется или не извлекается из буксы.	Неисправность устройства крепления оснастки. Использование некачественной оснастки.	Обратиться в сервисный центр. Использовать качественную оснастку.

Перечень критических отказов

- не использовать при сильном искрении.
- не использовать при появлении сильной вибрации.
- не использовать с перебитым или оголенным электрическим кабелем.
- не использовать при появлении дыма непосредственно из корпуса изделия.

Возможные ошибочные действия персонала

- не использовать с поврежденной рукояткой или поврежденным защитным кожухом.
- не использовать на открытом пространстве во время дождя.
- не включать при попадании воды в корпус.

Критерии предельных состояний

- перетерт или поврежден электрический кабель.
- поврежден корпус изделия.

ХРАНЕНИЕ

Во время назначенного срока службы храните перфоратор в сухом отапливаемом помещении. Рекомендуемая температура хранения от 0 °С до +40 °С. Храните перфоратор в фирменной упаковке. Перед помещением перфоратора на хранение снимите рабочую оснастку.

RU

ТРАНСПОРТИРОВКА

Во время транспортировки недопустимо прямое воздействие осадков, прямых солнечных лучей, нагрева и ударов. Транспортировка должна осуществляться только в фирменной упаковке при температуре окружающей среды от - 20 °С до +40 °С.

УТИЛИЗАЦИЯ

Машина, выработавшая назначенный срок службы, подлежит утилизации в соответствии с правилами, установленными природоохранным и иным законодательством страны, в которой эксплуатируется машина.

СРОК СЛУЖБЫ

Средний срок службы изделия при условии соблюдения потребителем правил эксплуатации составляет 5 лет.

ГАРАНТИЙНЫЕ ОБЯЗАТЕЛЬСТВА

На изделие распространяется гарантия производителя. Период гарантийного обслуживания указан в гарантийном талоне и исчисляется с момента продажи. Правила гарантийного обслуживания приведены в гарантийном талоне.

ДАТА ИЗГОТОВЛЕНИЯ

Дата производства и серийный номер нанесены на инструмент. Формат даты: ММ ГГ.

ИМПОРТЕР

Импортер/лицо, уполномоченное изготовителем, и продавец в РФ: ООО «МИР ИНСТРУМЕНТА», 142700, РФ, МО, г. Видное, ул. Радиальная 3-я, д. 8, пом. 1-Н, ком. 2; в РК: ТОО «Мир инструмента-Алматы», РК, Алматинская обл., Карасайский р-н, Ельтайский с/о, с. Береке. Телефон: +7 (495) 234-41-30.

Изготовитель: Yongkang Lingwei Electric Co., Ltd. Jinguquan Village, Huajie Town, Yongkang City, Zhejiang.

Сделано в Китае.

Изделие соответствует требованиям следующих нормативных документов:

ТР ТС 010/2011 «О безопасности машин и оборудования»;

ТР ТС 020/2011 «Электромагнитная совместимость технических средств»;

ТР ТС 004/2011 «О безопасности низковольтного оборудования»;

ТР ТС 037/2016 «Об ограничении применения опасных веществ в изделиях электротехники и радиоэлектроники».





Гарантийный талон

срок гарантии 36 месяцев

ВНИМАНИЕ!

Пожалуйста, требуйте от продавца полностью заполнить все поля гарантийного талона.

Наименование изделия:

Серийный номер:

Дата продажи:

Наименование и адрес торговой организации:

Изделие проверено в присутствии потребителя:

Печать торговой организации и подпись продавца:

Благодарим вас за приобретение нашей продукции. Фирма-изготовитель предоставляет на приобретенное вами изделие настоящую гарантию сроком на 36 месяцев со дня продажи.

ВНИМАНИЕ! ИЗДЕЛИЕ В ГАРАНТИЙНУЮ МАСТЕРСКУЮ СДАЕТСЯ В ЧИСТОМ ВИДЕ.

Гарантийные обязательства компании ООО «МИР ИНСТРУМЕНТА»

При покупке изделия требуйте проверки его комплектности и исправности в вашем присутствии, инструкцию по эксплуатации на русском языке и заполненный гарантийный талон.

Перед началом работы с данным изделием следует внимательно ознакомиться с инструкцией по эксплуатации. Все условия гарантии соответствуют действующему законодательству РФ.

Гарантийный срок на данное изделие составляет 36 месяцев и исчисляется со дня продажи конечному потребителю.

На аккумуляторные батареи, входящие в комплект поставки инструмента, а также на продающиеся отдельно гарантийный срок составляет 12 месяцев.

В случае устранения недостатков товара гарантийный срок на него продлевается на период, в течение которого товар находился в ремонте. Указанный период исчисляется со дня обращения потребителя с требованием об устранении недостатков товара до дня выдачи его по окончании ремонта.

Гарантийные обязательства распространяются только на неисправности, выявленные в течение гарантийного срока и обусловленные производственными или конструктивными факторами.

Гарантия не распространяется:

- Если детали были подвержены рабочему и другим видам естественного износа, а также при неисправности инструмента, вызванной данными видами износа.
- На неисправности инструмента, вызванные несоблюдением инструкций по эксплуатации или произошедшие в результате использования инструмента не по назначению, во время использования при неблагоприятных условиях окружающей среды, ненадлежащих производственных условиях, вследствие перегрузок или недостаточного, ненадлежащего технического обслуживания или ухода, в том числе при засорении топливной системы, самостоятельной регулировке карбюратора, работе при пониженном или повышенном напряжении питающей сети.
- При использовании изделия в условиях высокой интенсивности работ и сверхтяжелых нагрузок. К безусловным признакам перегрузки изделия относятся, помимо прочих, появление цветов побежалости, деформация или оплавление деталей и узлов изделия, потемнение или обугливание изоляции проводов под воздействием высокой температуры, коробление деталей и корпуса двигателя.
- На механические повреждения (трещины, сколы и т.д.) и повреждения, вызванные воздействием агрессивных сред, высокой влажности и высоких температур, попаданием инородных предметов в вентиляционные отверстия электроинструмента, а также повреждения, наступившие вследствие коррозии металлических частей и неправильного хранения.
- На естественный износ принадлежностей, быстроизнашивающихся частей и расходных материалов, таких как свечи зажигания, ручные стартеры ДВС, фильтры, приводные ремни, направляющие ролики, резиновые амортизаторы, уплотнители, прокладки, сальники, манжеты и другие РТИ, шины колес, защитные кожухи, пыльные цепи, пыльные шины, ведущие и ведомые звездочки, крыльчатки насосов, лески и головки для триммера, кабели питания, сварочные кабели, зажимы массы и электрододержатели, шланги, моечные пистолеты, форсунки, пенокомплекты, цанги, патроны, подошвы, угольные щетки, стволы перфораторов, ножи, пилки, абразивы, сверла, буры и т.п.
- При наличии следов вскрытия, ремонта или модификации инструмента вне уполномоченного сервисного центра.
- На повреждения и дефекты, вызванные неблагоприятными атмосферными и иными внешними воздействиями на изделие, такими как дождь, снег, повышенная влажность, нагрев, агрессивные среды, стихийное бедствие.
- В случае использования принадлежностей, расходных материалов и запасных частей, ГСМ, не рекомендованных производителем.
- На профилактическое и техническое обслуживание изделия, например: регулировку, чистку, смазку, замену расходных материалов и другие виды работ, не связанные с производственным дефектом.

Средний срок службы изделия – 5 лет.

Устранение неисправностей, признанных как гарантийный случай, осуществляется на выбор компании посредством ремонта или замены неисправного инструмента на новый (возможно, на модель следующего поколения). Замененные инструменты и детали переходят в собственность компании.

Гарантийные претензии принимаются в течение гарантийного срока. Для этого необходимо предъявить или отправить неисправный инструмент в сервисный центр (адреса и контактные данные указаны на сайте ipsremont.ru) или в торговую точку по месту приобретения товара, приложив заполненный гарантийный талон, подтверждающий дату покупки товара и его наименование. Инструмент, направленный в торговую точку или в сервисный центр в частично или полностью разобранном виде, под действие гарантии не подпадает. Все риски по пересылке инструмента в торговую точку или в сервисный центр несет владелец инструмента. Другие претензии, кроме упомянутого права на бесплатное устранение недостатков инструмента, под действие гарантии не подпадают.

С уважением, компания ООО «МИР ИНСТРУМЕНТА»

Изделие проверялось в моем присутствии, исправно, укомплектовано, внешний вид без повреждений. Всю необходимую для использования данного изделия информацию и руководство от продавца получил, с условиями гарантии ознакомлен и согласен, правильность заполнения гарантийного талона проверил.

_____ Подпись покупателя

Адреса и телефоны сервисных центров вы можете найти на сайте www.ipsremont.ru или уточнить в филиалах компании ООО «МИР ИНСТРУМЕНТА». Адреса и телефоны филиалов указаны на официальном сайте компании ООО «МИР ИНСТРУМЕНТА» www.instrument.ru.



СВЕДЕНИЯ О РЕМОНТЕ

№1 №1

ОТРЫВНОЙ ТАЛОН



Заполняется сервисным центром

Сервисный наряд №

Дата поступления

Дата выдачи

Наименование сервиса

Исполнитель Ф.И.О.

Печать сервисного центра и подпись ответственного лица

МП

Заполняется продавцом

Наименование изделия

Серийный номер

Дата продажи

МП

Печать торговой организации



СВЕДЕНИЯ О РЕМОНТЕ

№2 №2

ОТРЫВНОЙ ТАЛОН



Заполняется сервисным центром

Сервисный наряд №

Дата поступления

Дата выдачи

Наименование сервиса

Исполнитель Ф.И.О.

Печать сервисного центра и подпись ответственного лица

МП

Заполняется продавцом

Наименование изделия

Серийный номер

Дата продажи

МП

Печать торговой организации



СВЕДЕНИЯ О РЕМОНТЕ

№3 №3

ОТРЫВНОЙ ТАЛОН



Заполняется сервисным центром

Сервисный наряд №

Дата поступления

Дата выдачи

Наименование сервиса

Исполнитель Ф.И.О.

Печать сервисного центра и подпись ответственного лица

МП

Заполняется продавцом

Наименование изделия

Серийный номер

Дата продажи

МП

Печать торговой организации

Заполняется сервисным центром

Сервисный наряд №

Дата поступления

Дата выдачи

Наименование сервиса

Исполнитель Ф.И.О.

Контактная информация пользователя

Ф.И.О.:

Адрес:

Телефон:

Подпись покупателя _____ МП





Заполняется сервисным центром

Сервисный наряд №

Дата поступления

Дата выдачи

Наименование сервиса

Исполнитель Ф.И.О.

Контактная информация пользователя

Ф.И.О.:

Адрес:

Телефон:

Подпись покупателя _____ МП





Заполняется сервисным центром

Сервисный наряд №

Дата поступления

Дата выдачи

Наименование сервиса

Исполнитель Ф.И.О.

Контактная информация пользователя

Ф.И.О.:

Адрес:

Телефон:

Подпись покупателя _____ МП